



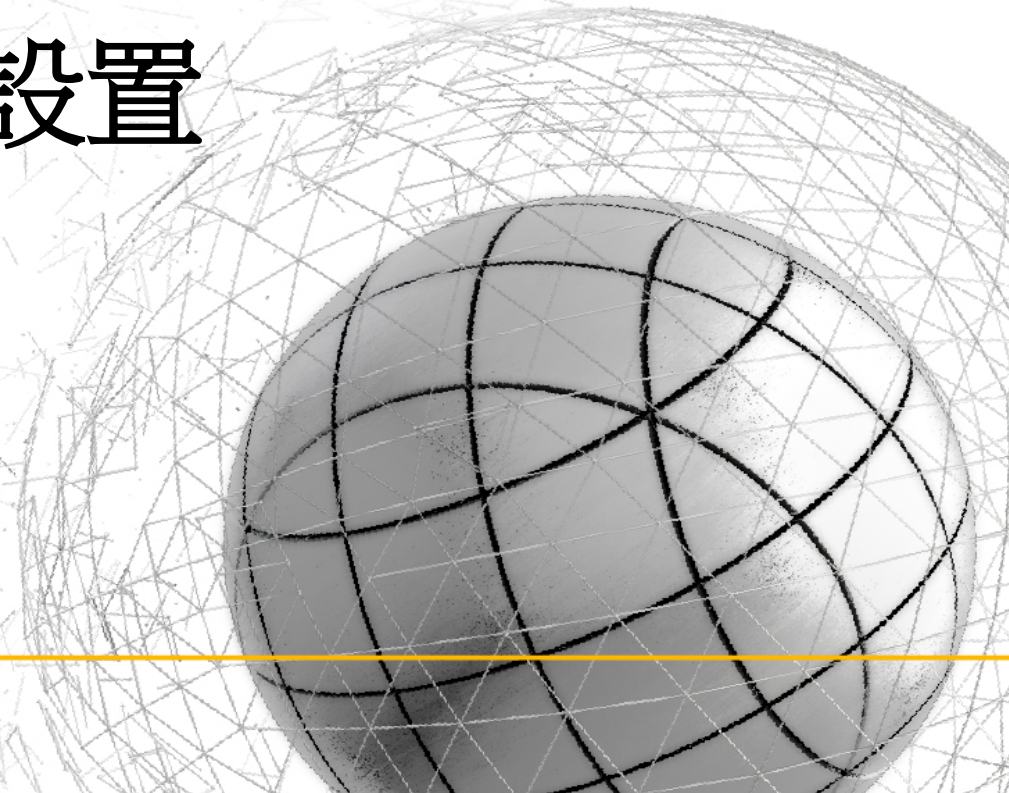
MIDAS

MESH FREE

# 環境設置

Simple, but Everything.

---





MIDAS  
**MESH FREE**

# 3D模型

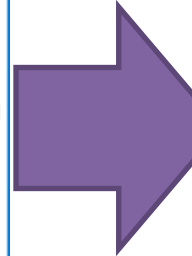


Simple, but Everything.

---

# 支援常用3D格式

CAD Files (\*.\*)  
 Parasolid (9 - 31) Files (\*.x\_t;\*.xmt\_tct;\*.x\_b;\*.xmt\_bin)  
 ACIS (R1 - 2020 1.0) Files (\*.sat;\*.sab;\*.asat;\*.asab)  
 STEP (AP203, AP214, AP242) Files (\*.stp;\*.step)  
 IGES (Up to 5.3) Files (\*.igs;\*.iges)  
 Pro-E (16 - Creo 6.0) Files (\*.prt;\*.prt.\*;\*.asm;\*.asm.\*)  
 CATIA V4 (CATIA 4.1.9 - 4.2.4) Files (\*.model;\*.exp;\*.session)  
 CATIA V5 (V5R8 - V5-6R2019) Files (\*.CATPart;\*.CATProduct)  
 Solid Works (98 - 2020) Files (\*.sldprt;\*.sldasm)  
 Unigraphics (11 - NX1847) Files (\*.prt)  
 Inventor Part (V6 - V2020) Files (\*.ipt)  
 Inventor Assembly (V11 - V2020) Files (\*.iam)  
 Solid Edge (V18 - ST11) Files (\*.par;\*.asm;\*.psm)

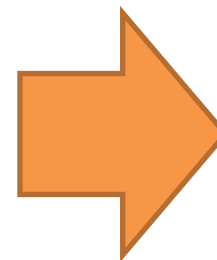


## 通用格式

CAD Files (\*.\*)  
 Parasolid (9 - 31) Files (\*.x\_t;\*.xmt\_tct;\*.x\_b;\*.xmt\_bin)  
 ACIS (R1 - 2020 1.0) Files (\*.sat;\*.sab;\*.asat;\*.asab)  
 STEP (AP203, AP214, AP242) Files (\*.stp;\*.step)  
 IGES (Up to 5.3) Files (\*.igs;\*.iges)

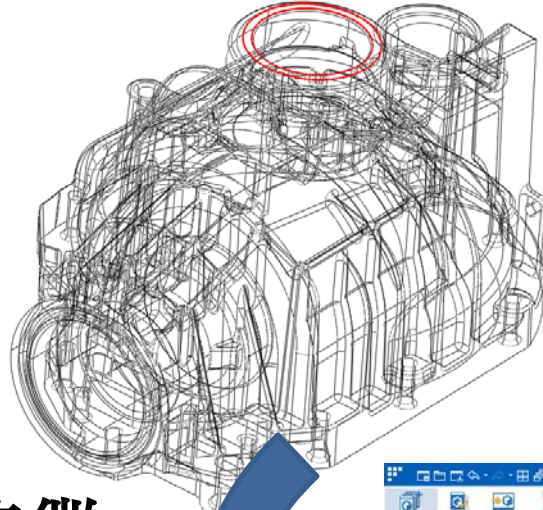
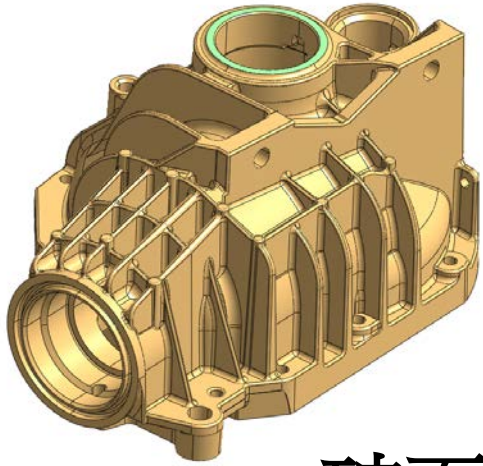
試用版只提供通用格式

## 特定格式



Pro-E (16 - Creo 6.0) Files (\*.prt;\*.prt.\*;\*.asm;\*.asm.\*)  
 CATIA V4 (CATIA 4.1.9 - 4.2.4) Files (\*.model;\*.exp;\*.session)  
 CATIA V5 (V5R8 - V5-6R2019) Files (\*.CATPart;\*.CATProduct)  
 Solid Works (98 - 2020) Files (\*.sldprt;\*.sldasm)  
 Unigraphics (11 - NX1847) Files (\*.prt)  
 Inventor Part (V6 - V2020) Files (\*.ipt)  
 Inventor Assembly (V11 - V2020) Files (\*.iam)  
 Solid Edge (V18 - ST11) Files (\*.par;\*.asm;\*.psm)

# MeshFree只支援-3D實體模型



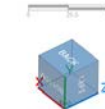
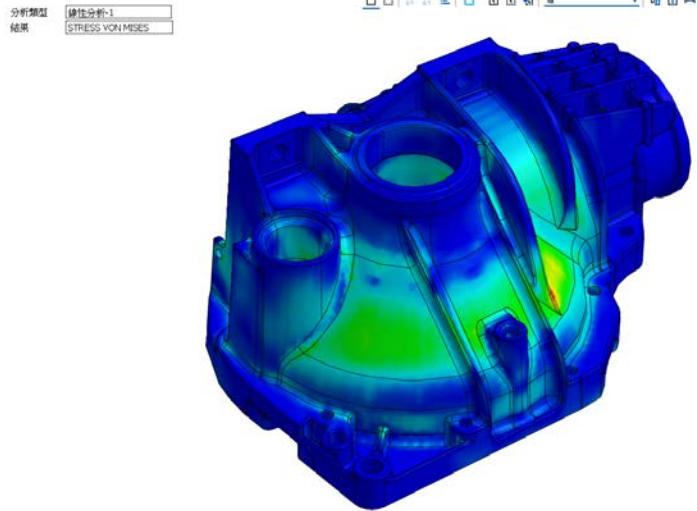
破面特徵



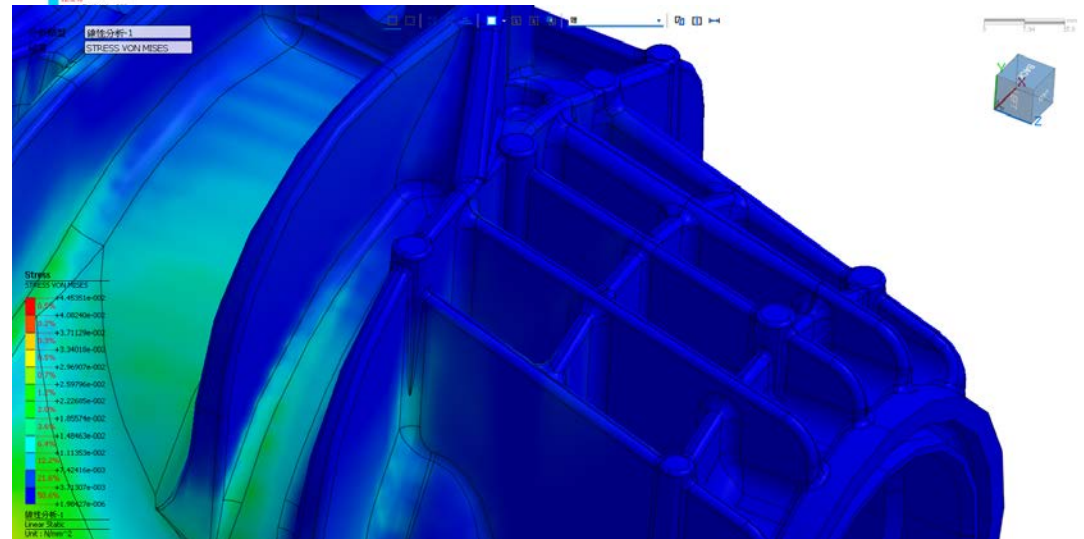
無法匯入MeshFree

# MeshFree分析

## 3D實體模型-免修模/免網格

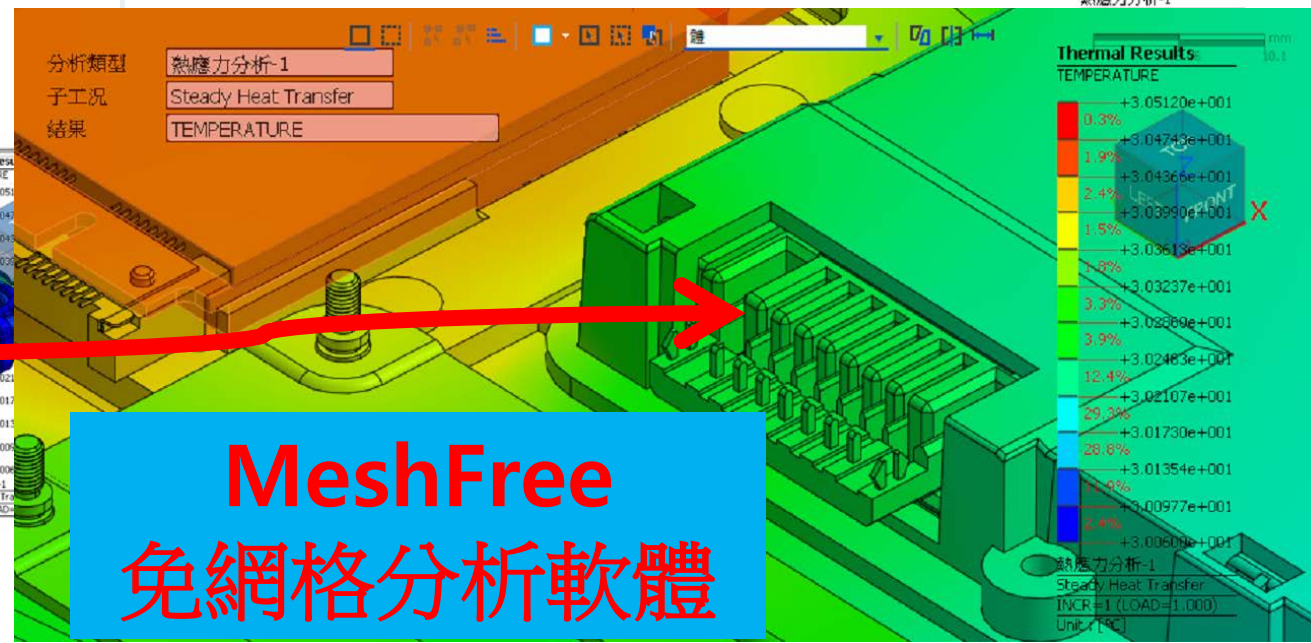
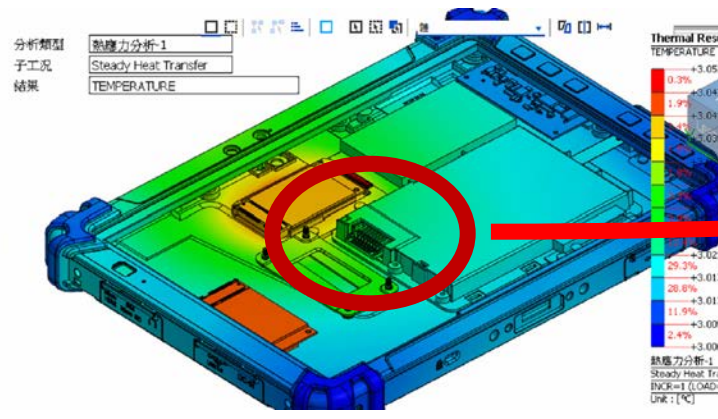
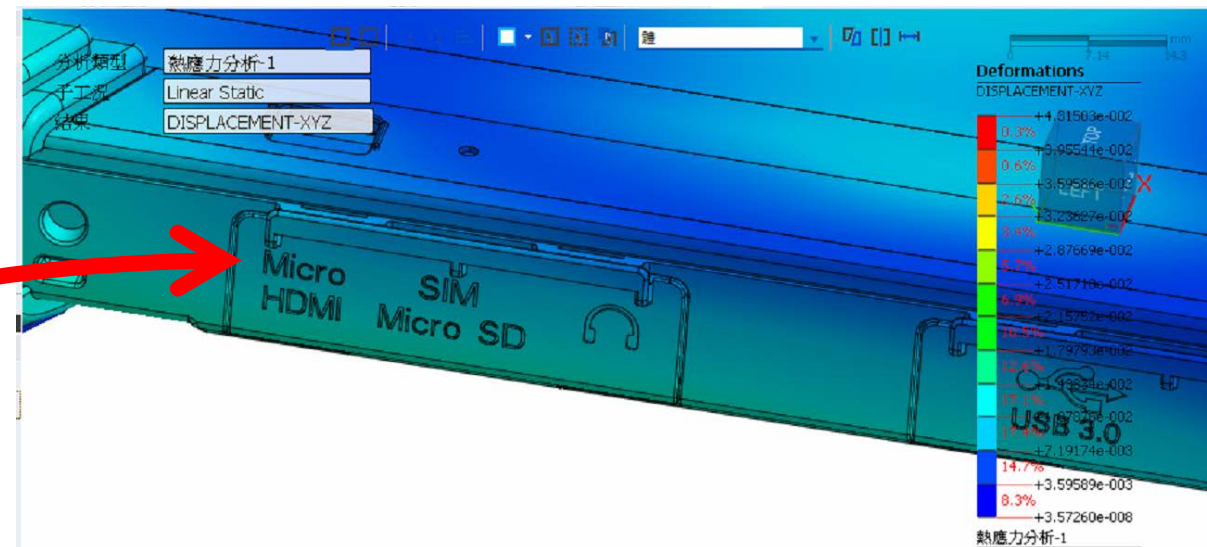
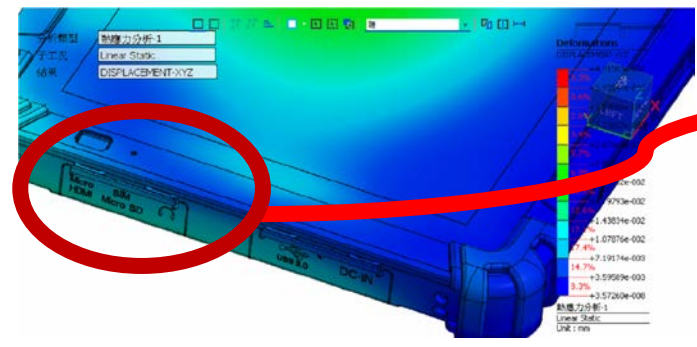


曲線/曲面特徵都免網格



# 幾何細小特徵

- 1.免修模
- 2.免網格



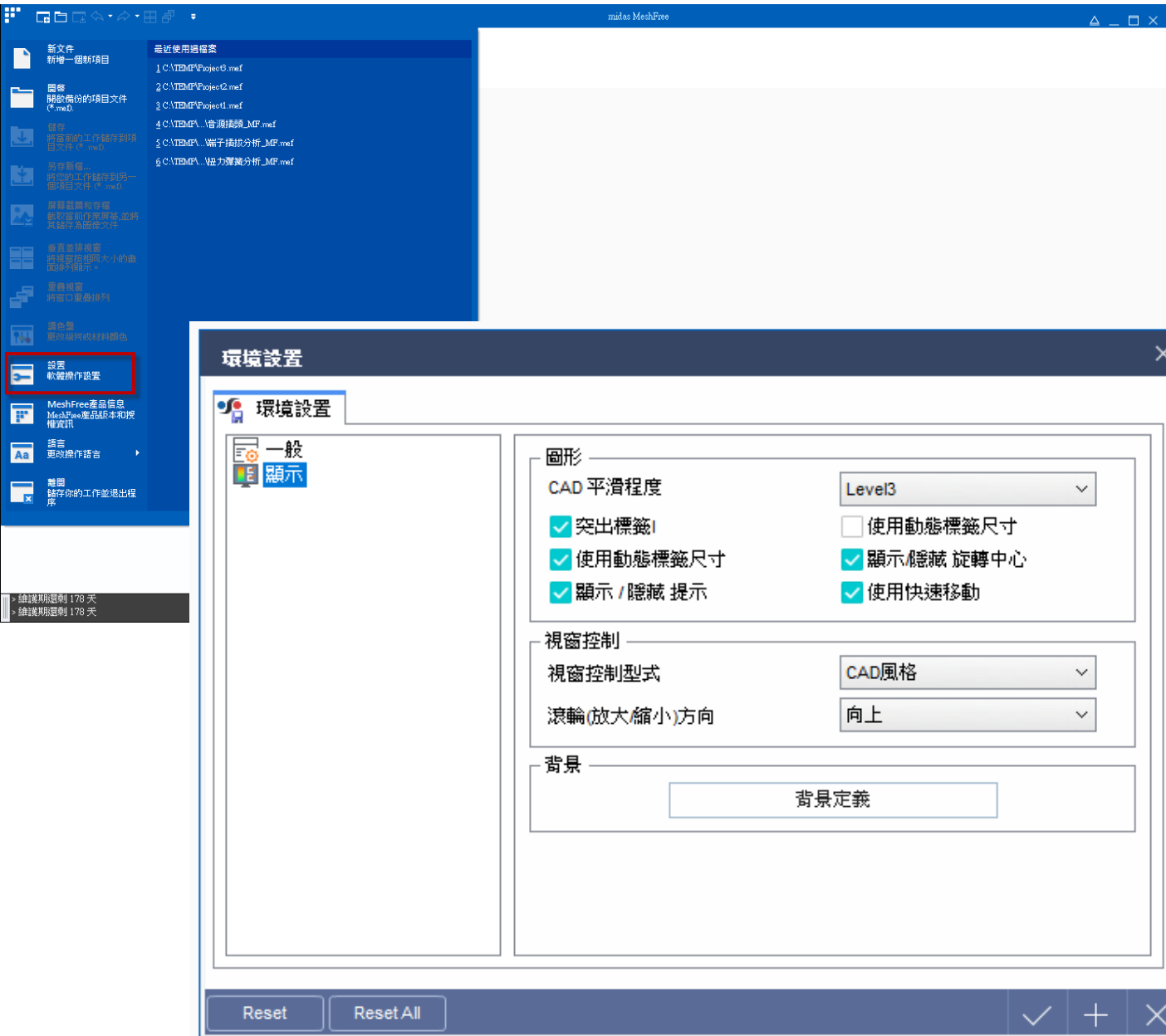
**MeshFree**  
免網格分析軟體



# 滑鼠控制&背景設置

Simple, but Everything.

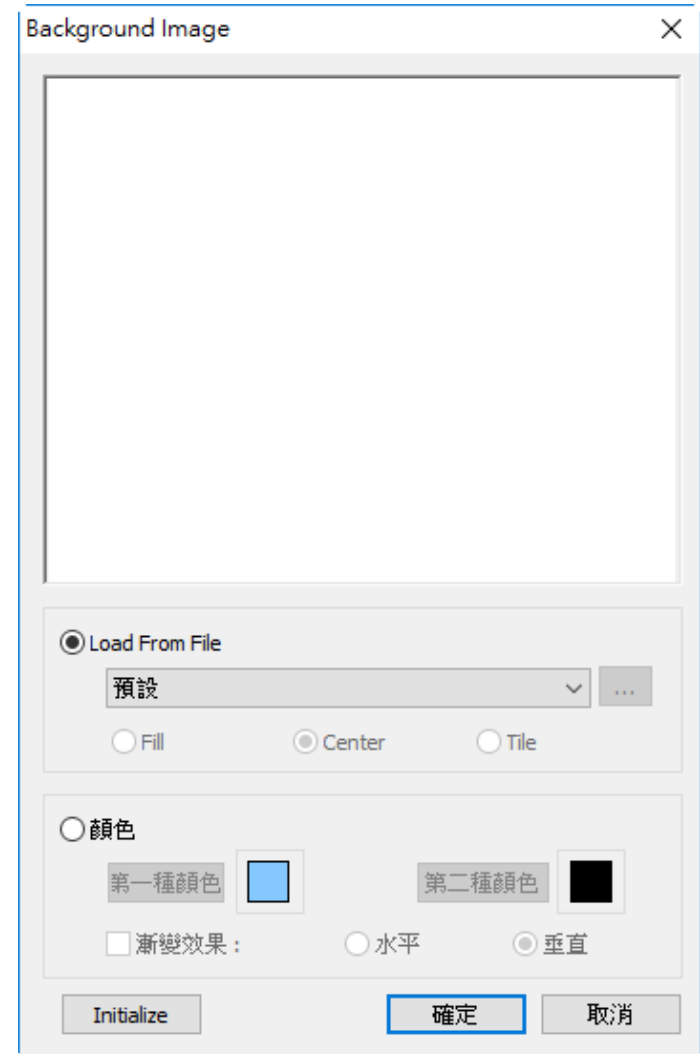
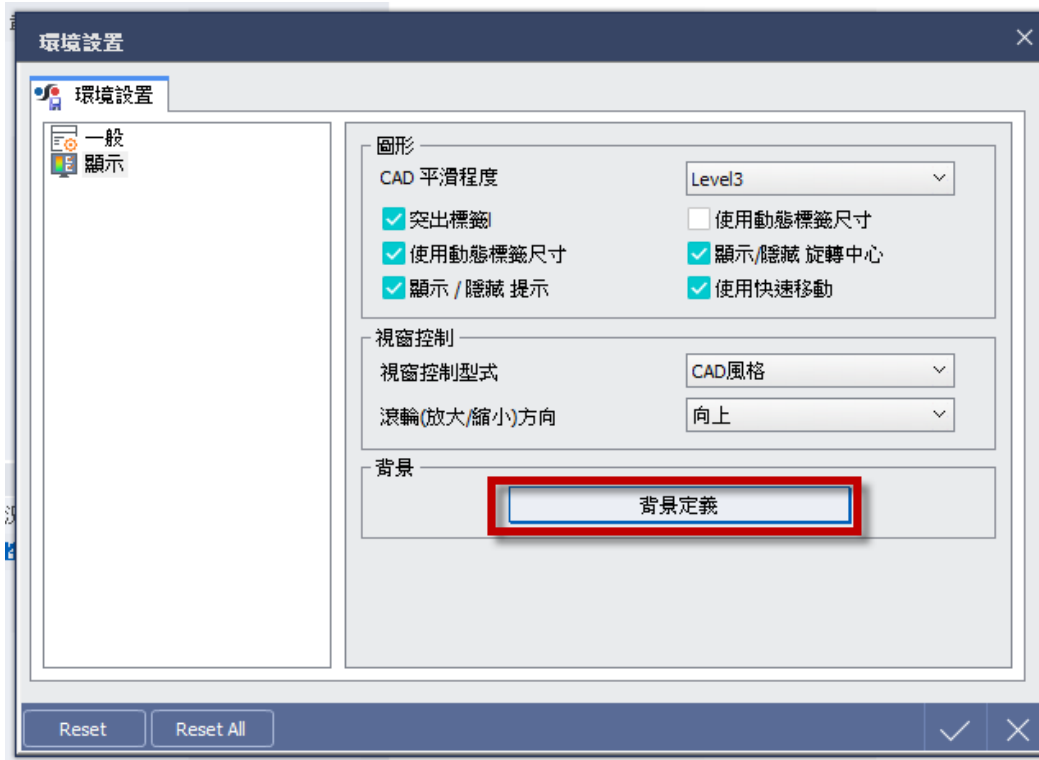
---



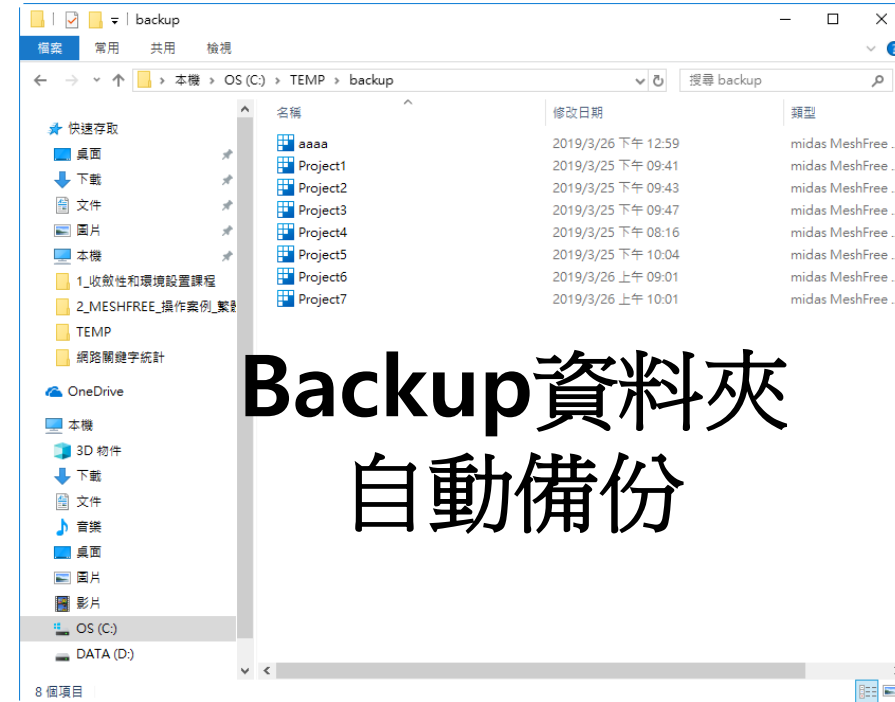
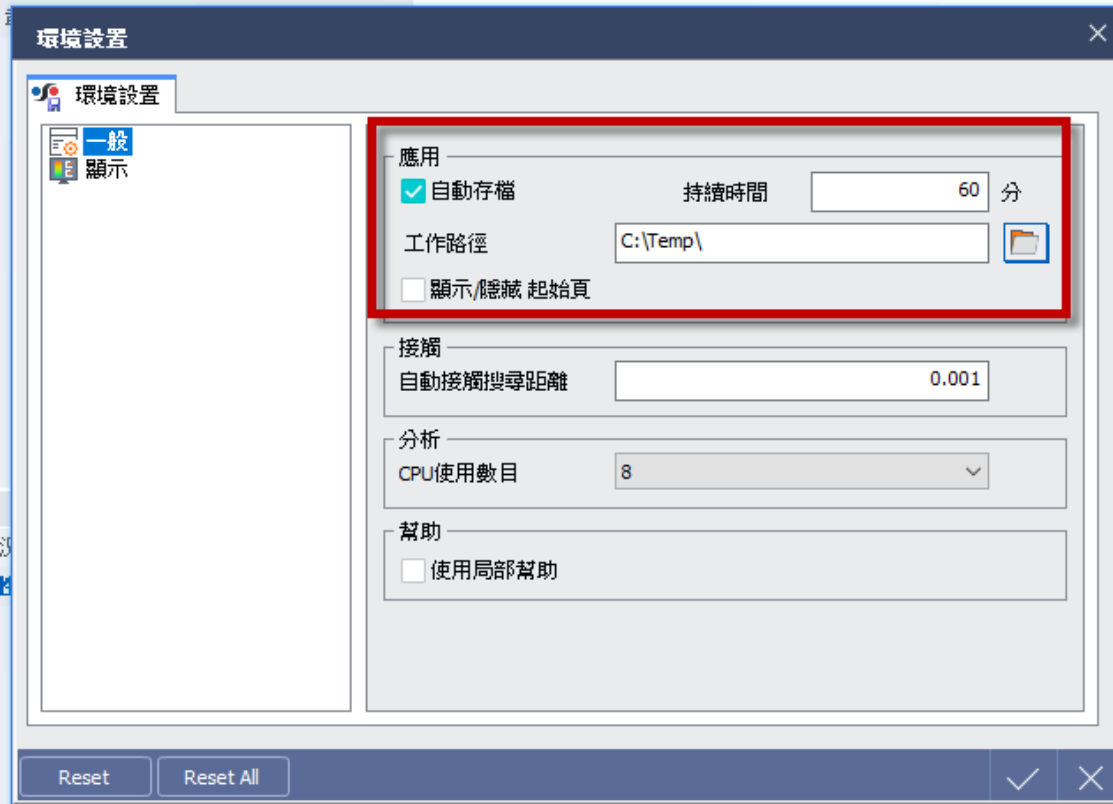
- 旋轉特徵
  - 滾輪長壓
  - **ctrl+右鍵**
- 放大/縮小特徵
  - 滾輪滾動
  - **ctrl+左鍵**
- 平移特徵
  - **ctrl+滾輪**



# 操作視窗背景



# 工作路徑/自動存檔





# 環境設置-求解定義

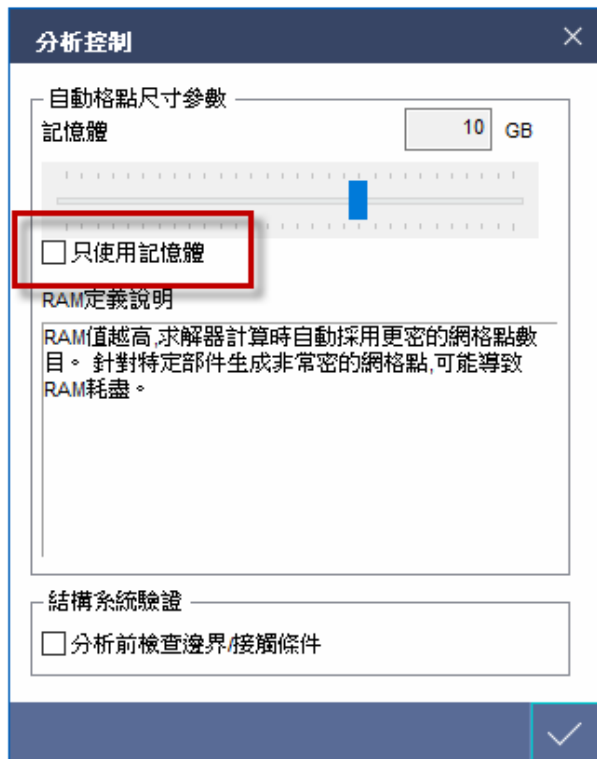
Simple, but Everything.

---

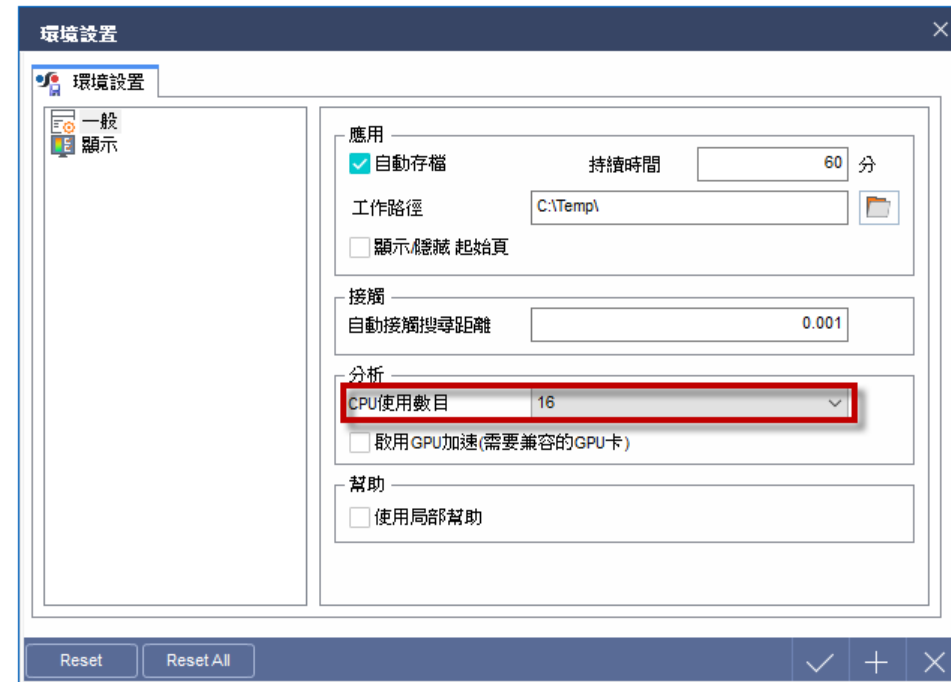


# MeshFree求解

- RAM定義



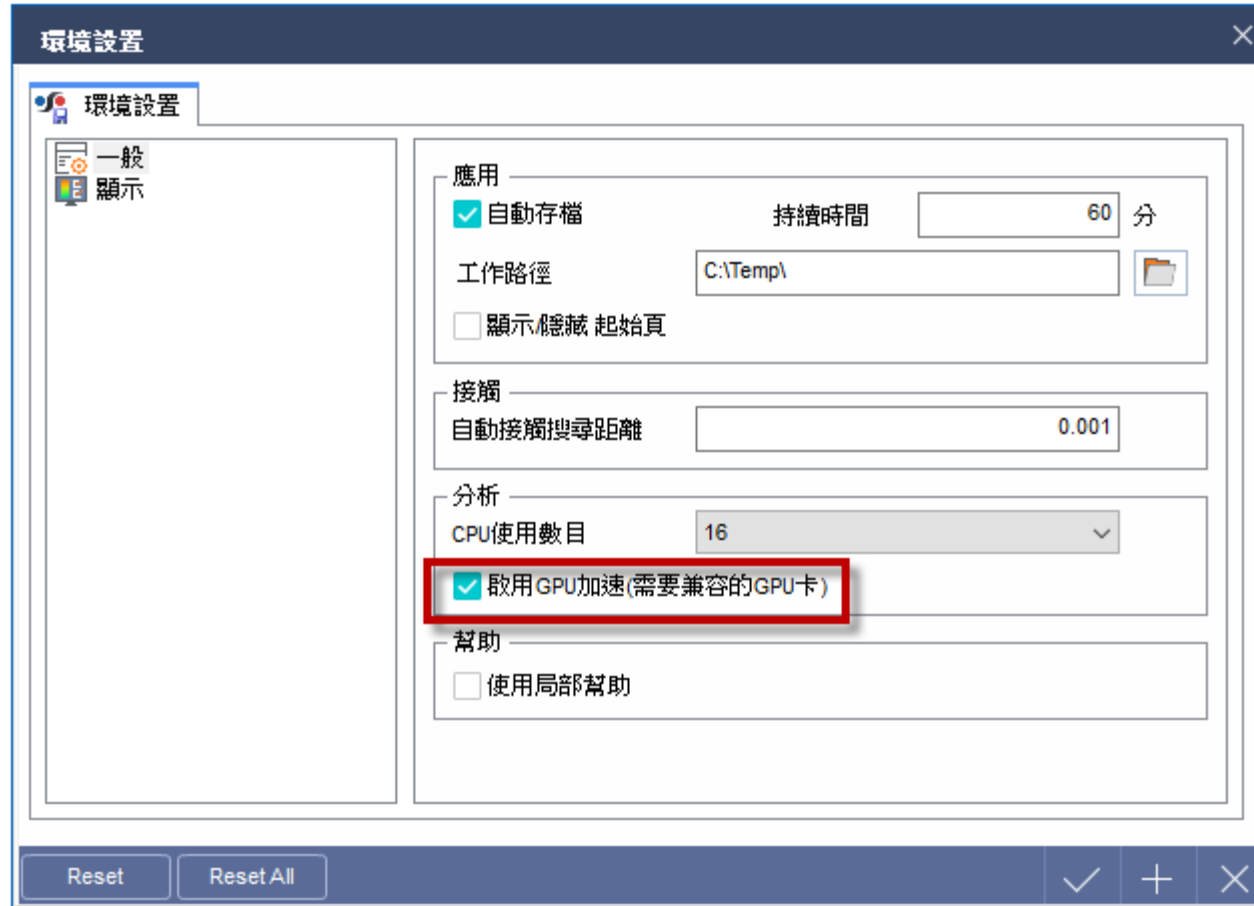
- CPU定義



單機可支援到16核心

# MeshFree求解

- GPU定義





MIDAS  
**MESH FREE**

# 顯卡設置



Simple, but Everything.

---

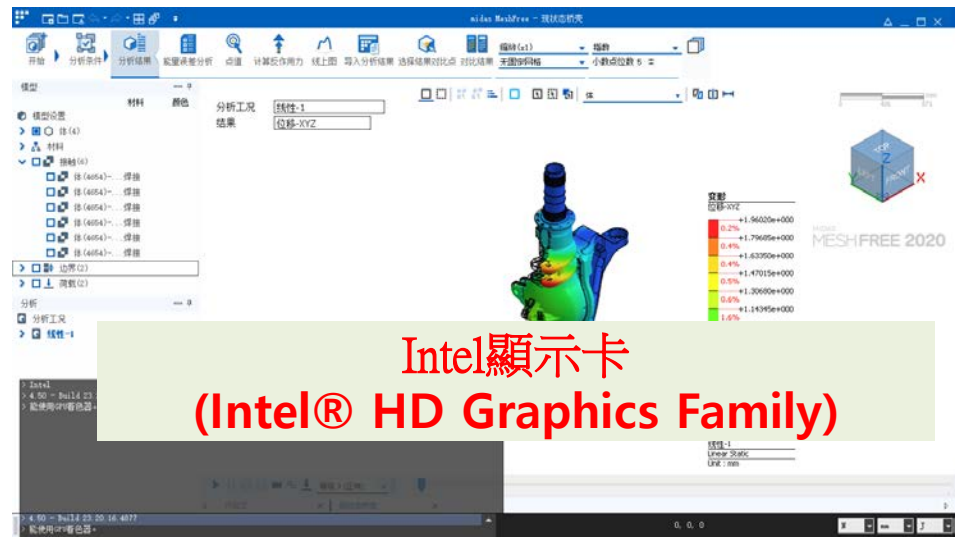
# 支援所有類型顯示卡



**NVIDIA顯示卡  
(NVIDIA GeForce GTX1050)**



**AMD顯示卡  
(AMD Aradeon HD 6700 Series)**



**Intel顯示卡  
(Intel® HD Graphics Family)**



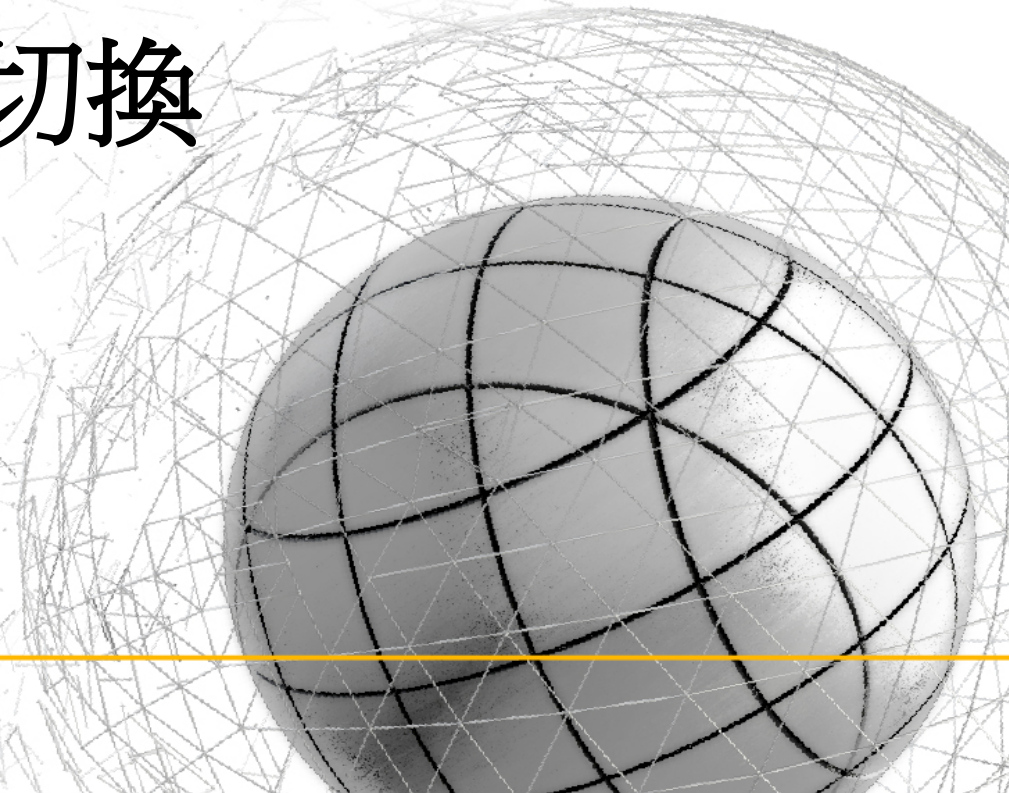
MIDAS

MESH FREE

語言切換

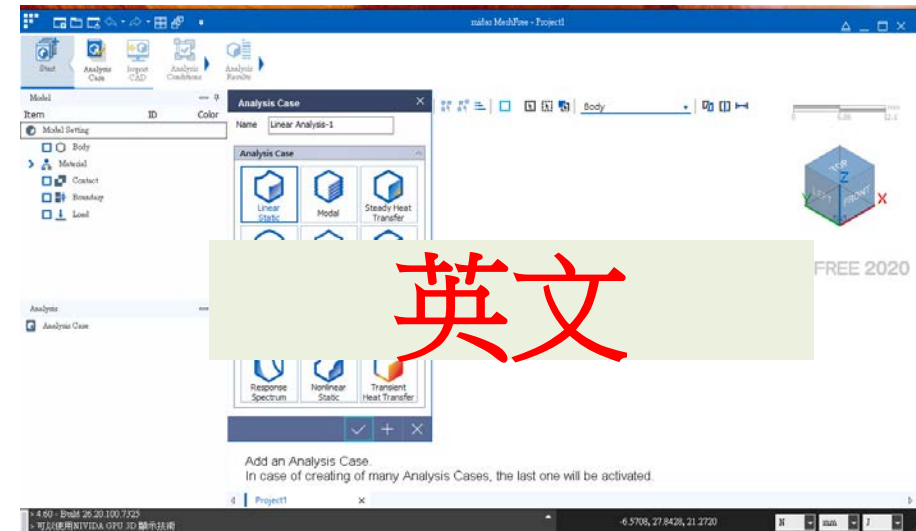
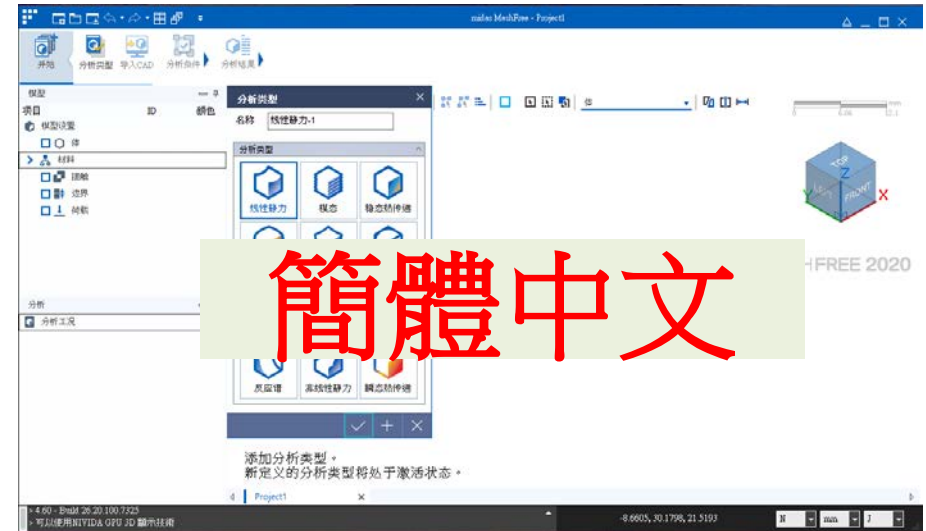
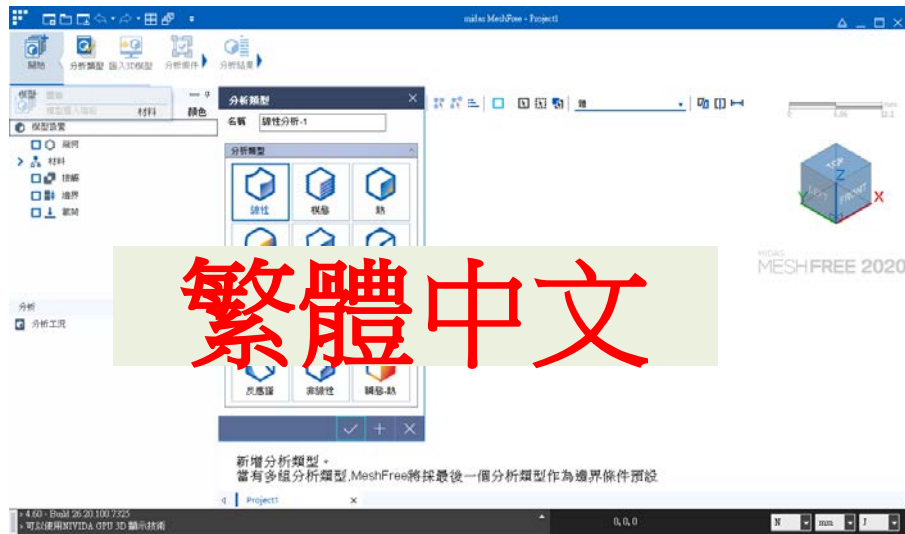
Simple, but Everything.

---





# 繁中/簡中/英文隨時切換



註:可提供韓文語言包