

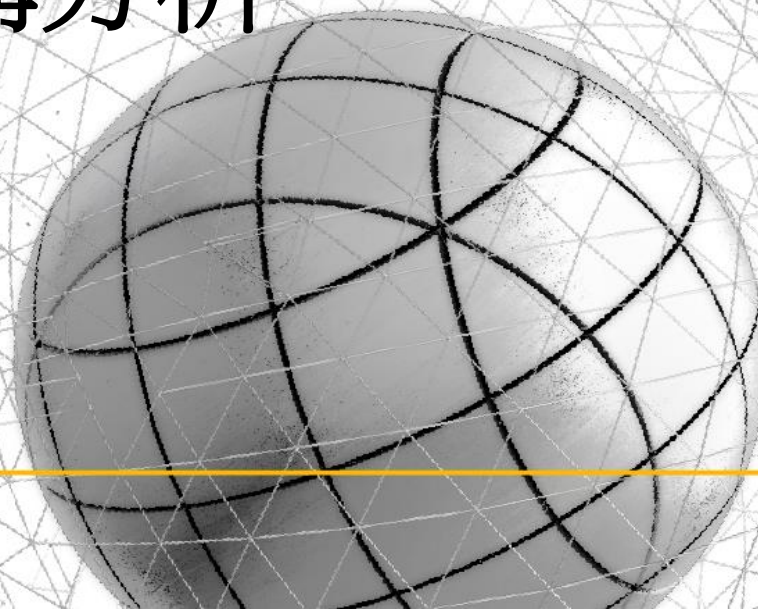


MIDAS

MESH FREE

單件-結構分析
EX2.托架結構分析

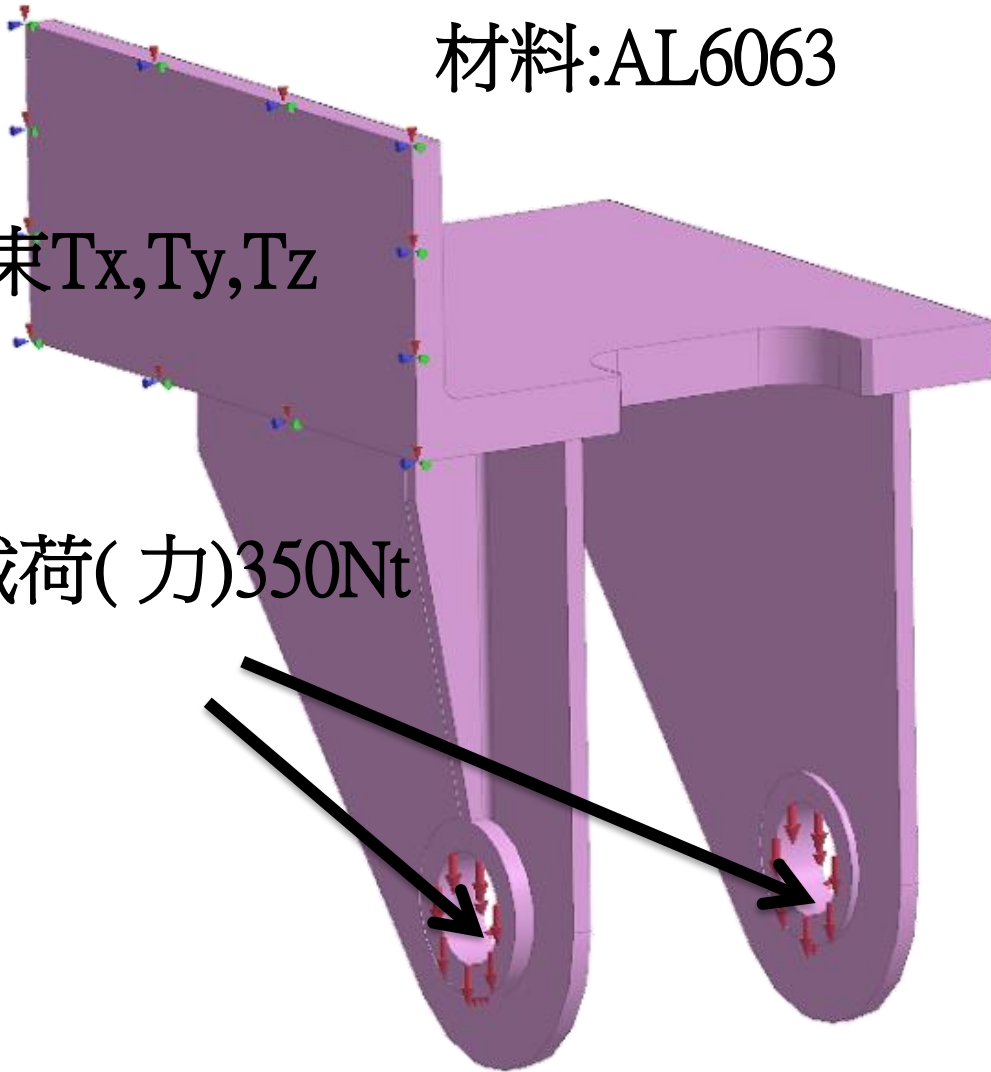
Simple, but Everything.



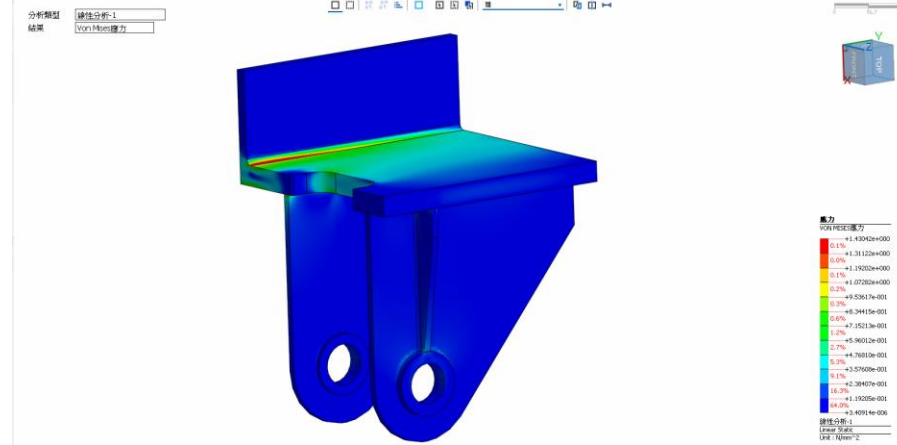
材料:AL6063

拘束 T_x, T_y, T_z

載荷(力)350Nt



應力(MPa)



變形量(mm)

