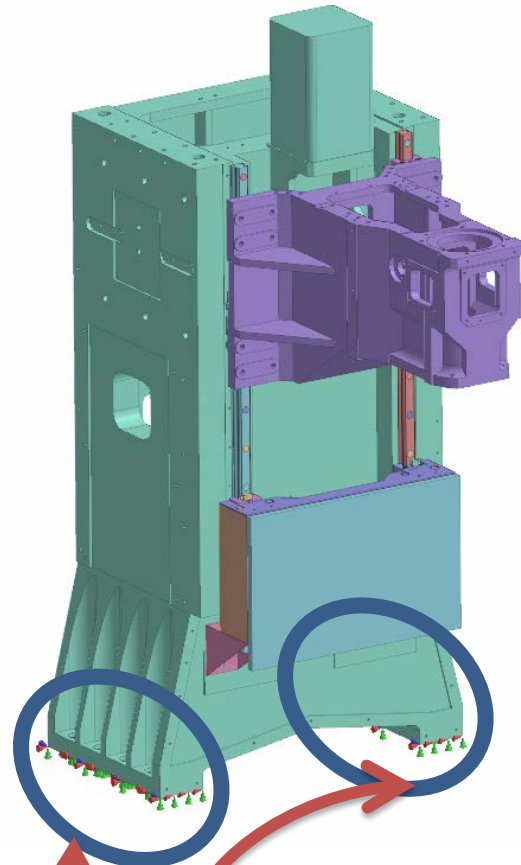




模態分析_立柱模態分析

Simple, but Everything.



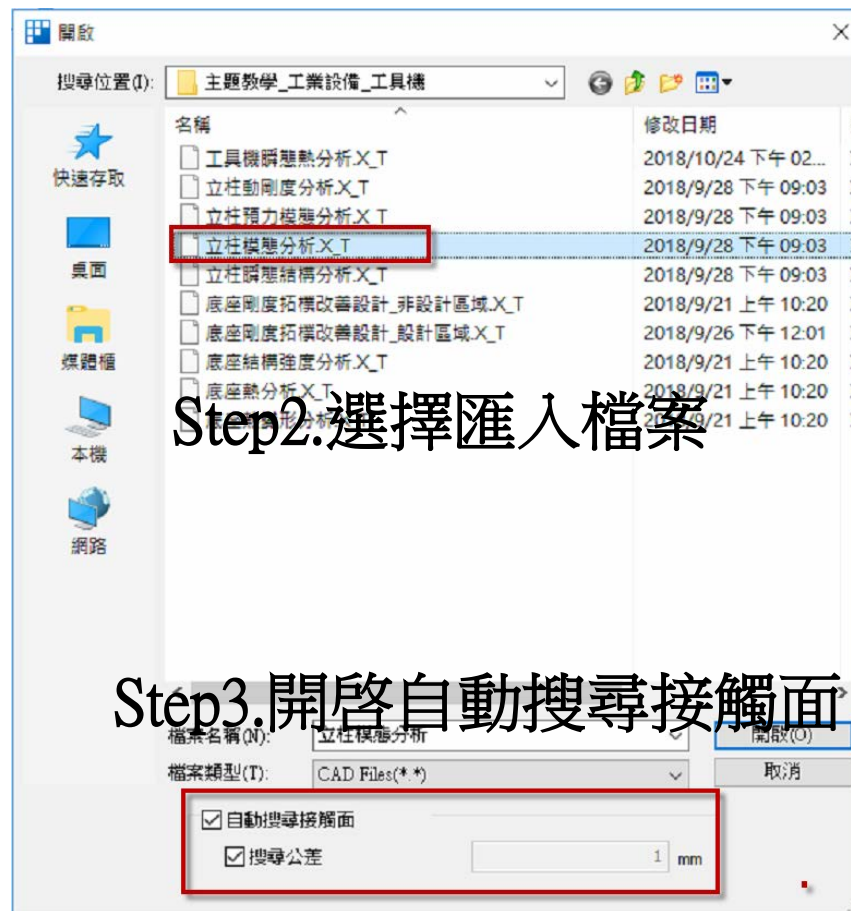


固定X,Y,Z

材料: Alloy Steel



Step1.匯入3D 模型



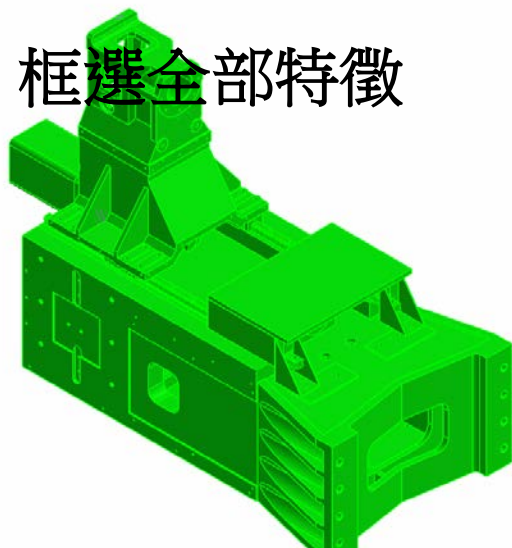
Step2.選擇匯入檔案

Step3.開啓自動搜尋接觸面

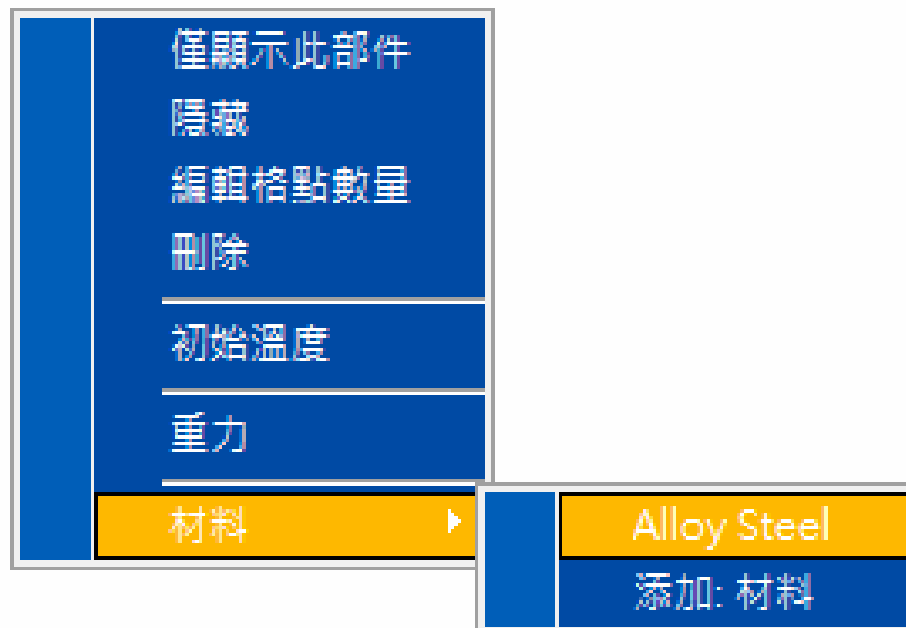
MeshFree支援各類CAD 格式

Parasolid (9 - 29) Files (*.x_t;*.xmt_txt;*.x_b;*.xmt_bin)
 ACIS (R1 - 2017 1.0) Files (*.sat;*.sab;*.asat;*.asab)
 STEP (AP203, AP214, AP242) Files (*.stp;*.step)
 IGES (Up to 5.3) Files (*.igs;*.iges)
 Pro-E (16 - Creo 3.0) Files (*.prt;*.prt.*;*.asm;*.asm.*)
 CATIA V4 (CATIA 4.1.9 - 4.2.4) Files (*.model;*.exp;*.session)
 CATIA V5 (V5R8 - V5-6R2016) Files (*.CATPart;*.CATProduct)
 Solid Works (98 - 2017) Files (*.sldprt;*.sldasm)
 Unigraphics (11 - NX11) Files (*.prt)
 Inventor Part (V6 - V2017) Files (*.ipt)
 Inventor Assembly (V11 - V2017) Files (*.iam)
 Solid Edge (V18 - ST9) Files (*.par;*.asm;*.psm)

框選全部特徵



| | 材料 | 顏色 |
|-------------------------------------|------------------|-------------|
| 幾何 (72) | | |
| <input checked="" type="checkbox"/> | O8.0 (8) _1_2 | Alloy Steel |
| <input checked="" type="checkbox"/> | __1 | Alloy Steel |
| <input checked="" type="checkbox"/> | __u__s__C1 | Alloy Steel |
| <input checked="" type="checkbox"/> | M5x0.8 _1 | Alloy Steel |
| <input checked="" type="checkbox"/> | O8.0 (8) _1_2(1) | Alloy Steel |
| <input checked="" type="checkbox"/> | __-__2 | Alloy Steel |
| <input checked="" type="checkbox"/> | __-__3 | Alloy Steel |
| <input checked="" type="checkbox"/> | __-__5 | Alloy Steel |
| <input checked="" type="checkbox"/> | __-__1 | Alloy Steel |
| <input checked="" type="checkbox"/> | __1(2) | Alloy Steel |
| <input checked="" type="checkbox"/> | M5x0.8 _6 | Alloy Steel |
| <input checked="" type="checkbox"/> | CONE_2 | Alloy Steel |
| <input checked="" type="checkbox"/> | __1(3) | Alloy Steel |



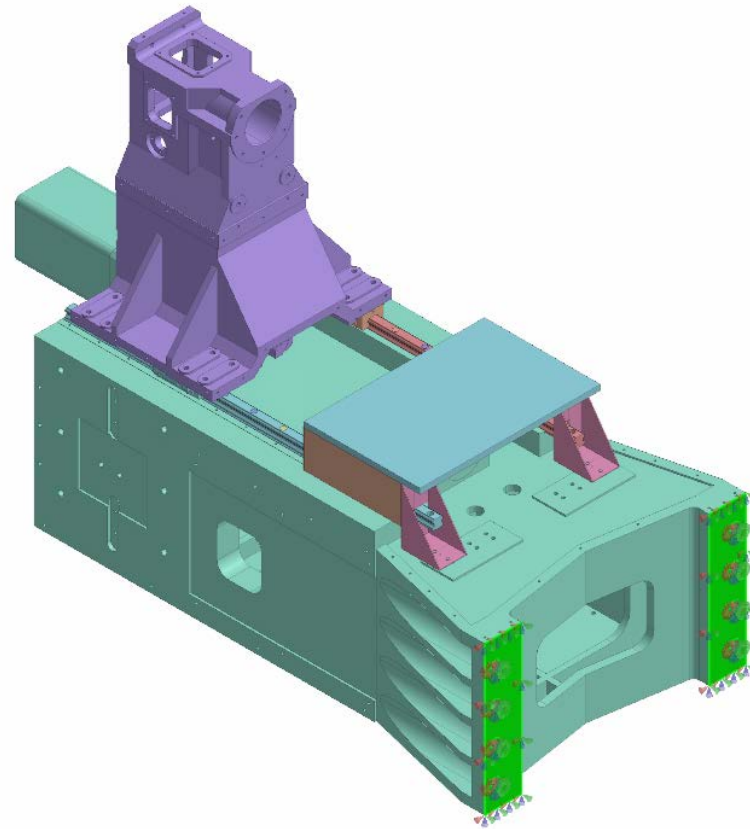
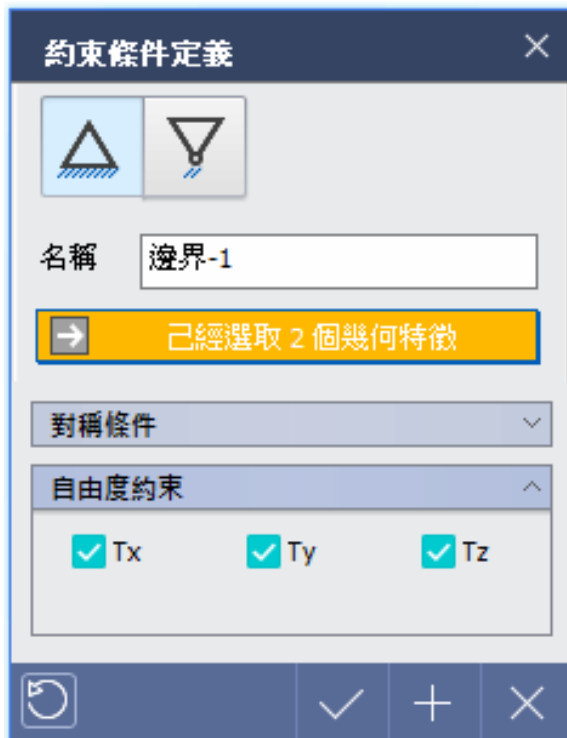
滑鼠右鍵,材料定義

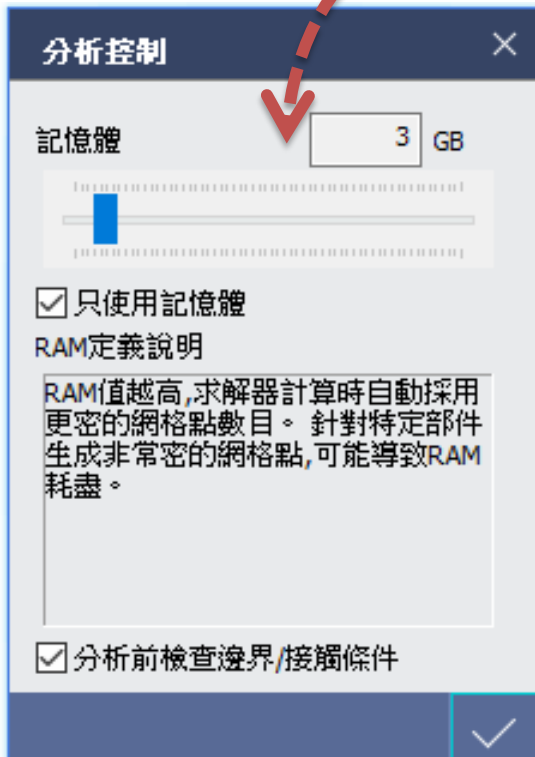
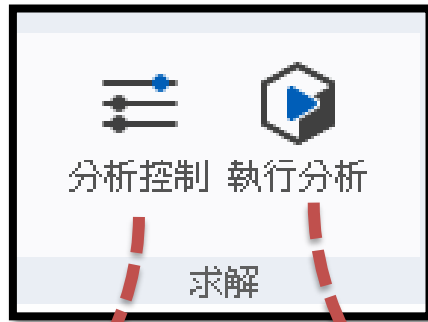


模型樹會顯示指定的材料

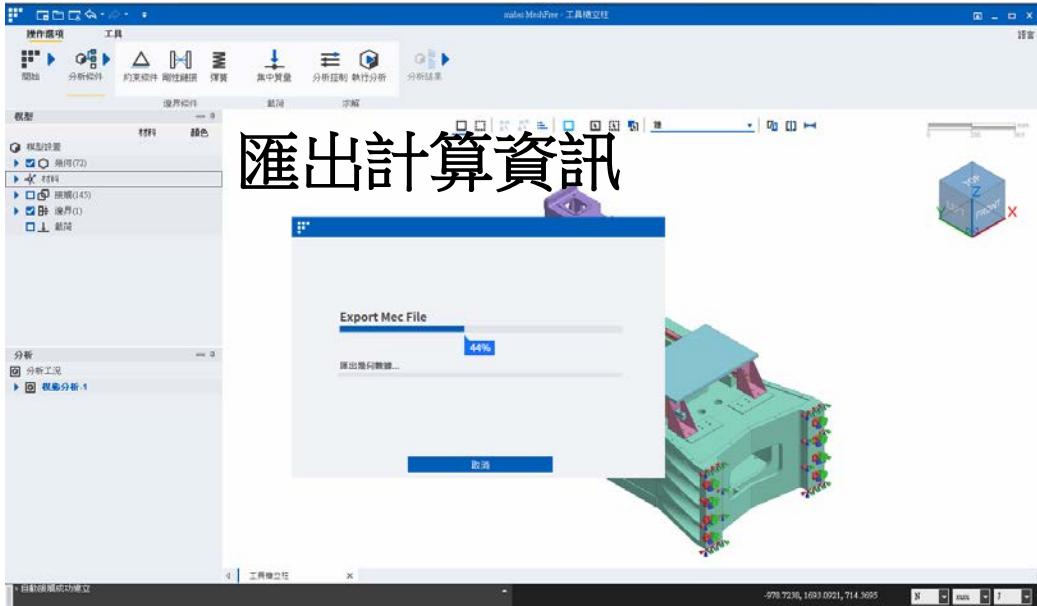


選取底面特徵





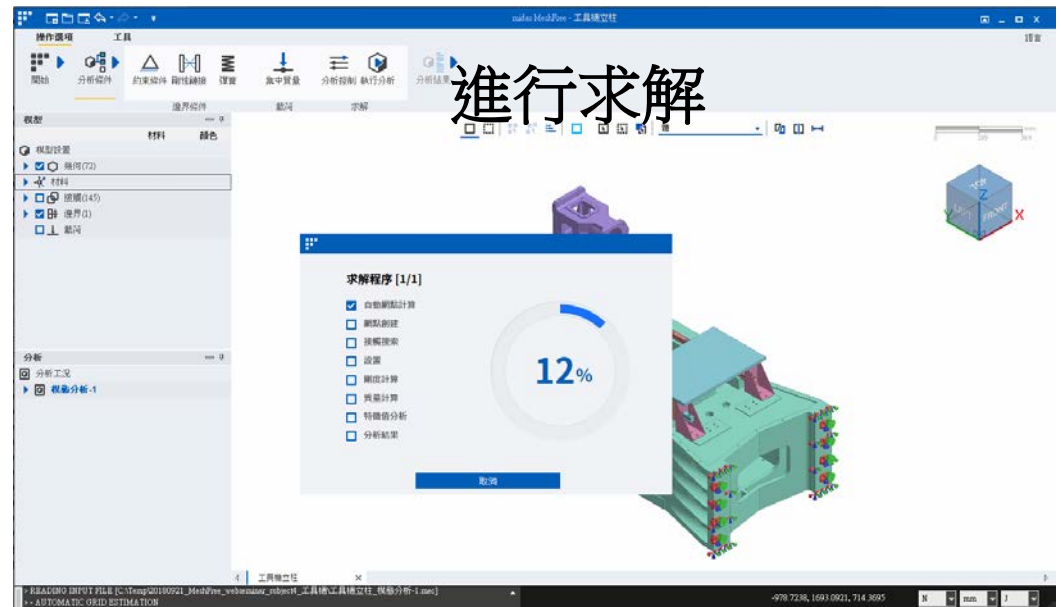
記憶體大小
1.計算速度
2.分析準確性

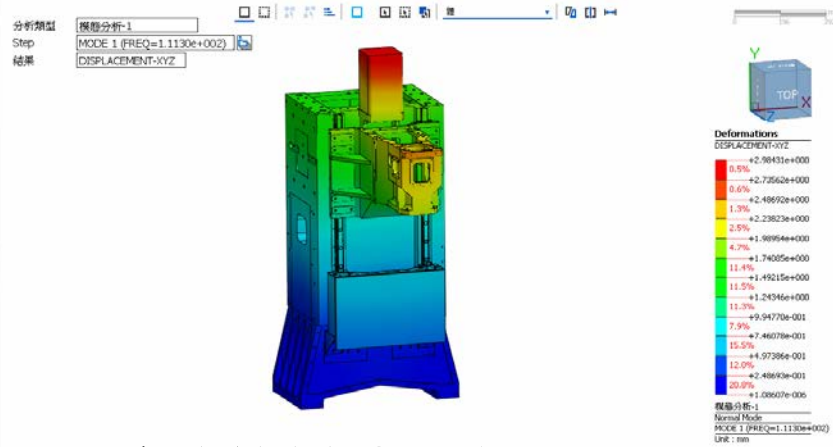


分析時間135.56sec
(採2G Ram)

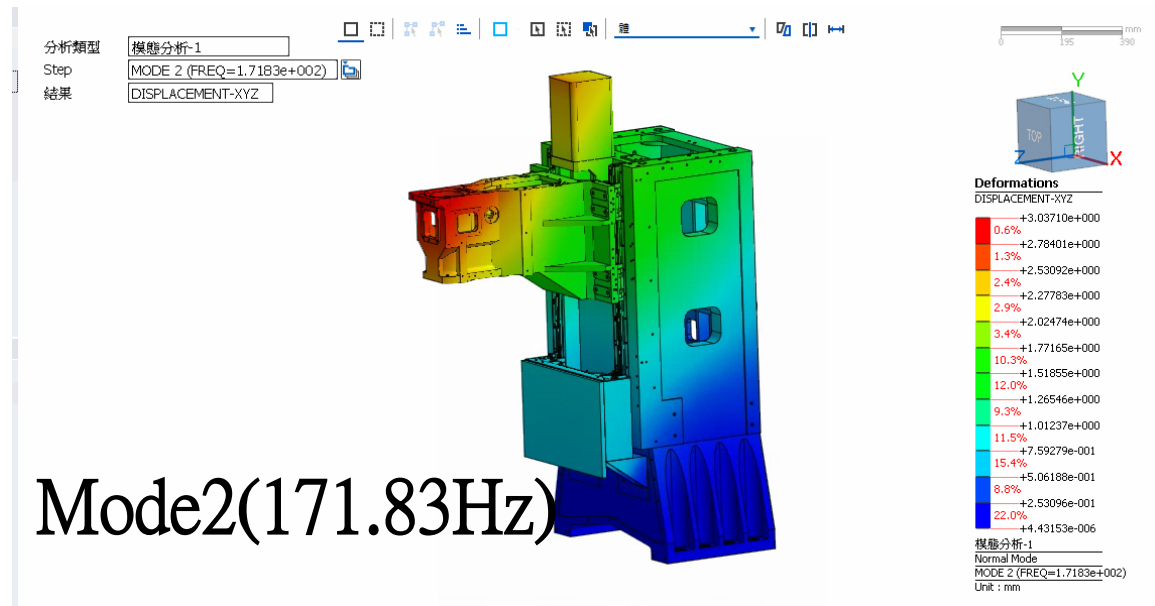
```

> COMPUTING OUTPUT DATA FOR 10th MODE(1.2289e+007)
> ANALYSIS WALL CLOCK TIME : 65.173 sec
> ANALYSIS COMPLETED
>
> [SYSTEM INFO]
> NUMBER OF THREADS : 8
> MAXIMUM MEMORY USAGE : 4011 MB
> AVAILABLE MEMORY : 24469 MB
> TOTAL CPU TIME : 577.733 sec
> WALL CLOCK TIME : 135.559 sec
> TOTAL WARNINGS : 0
    
```





Mode1(111.3Hz)



Mode2(171.83Hz)