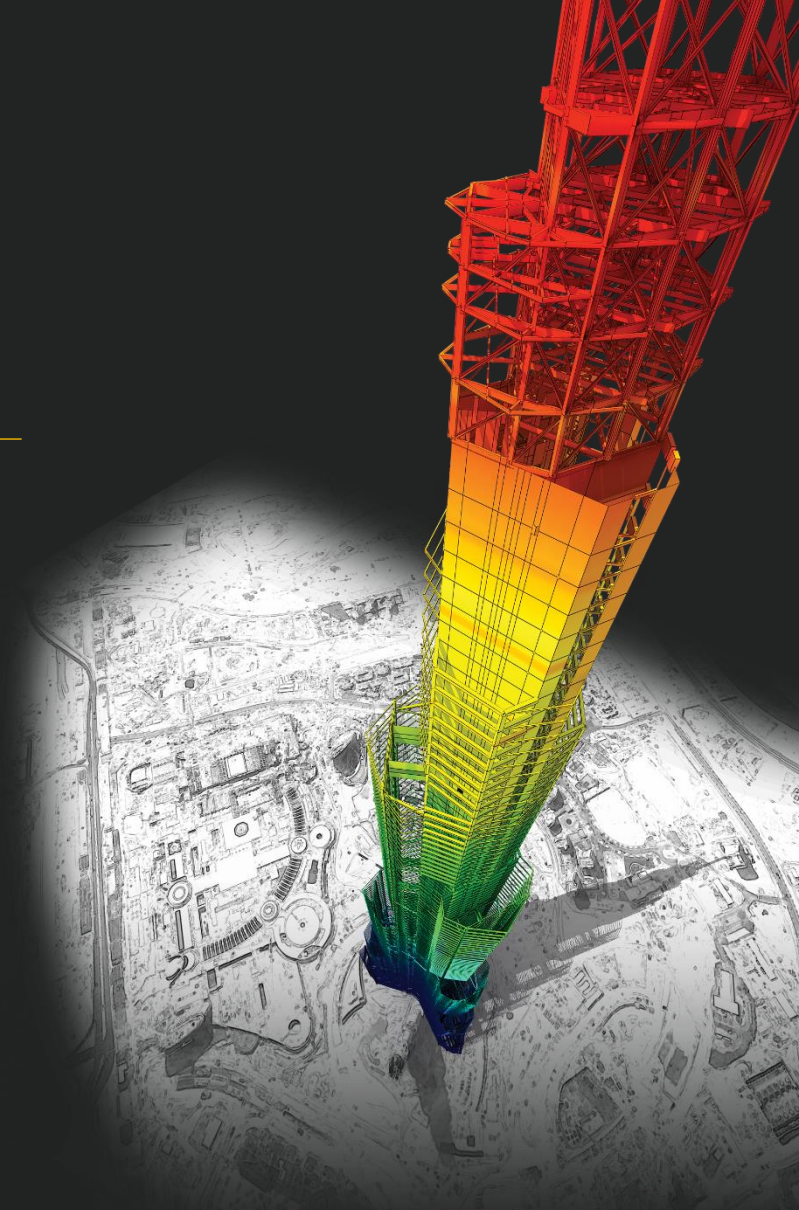


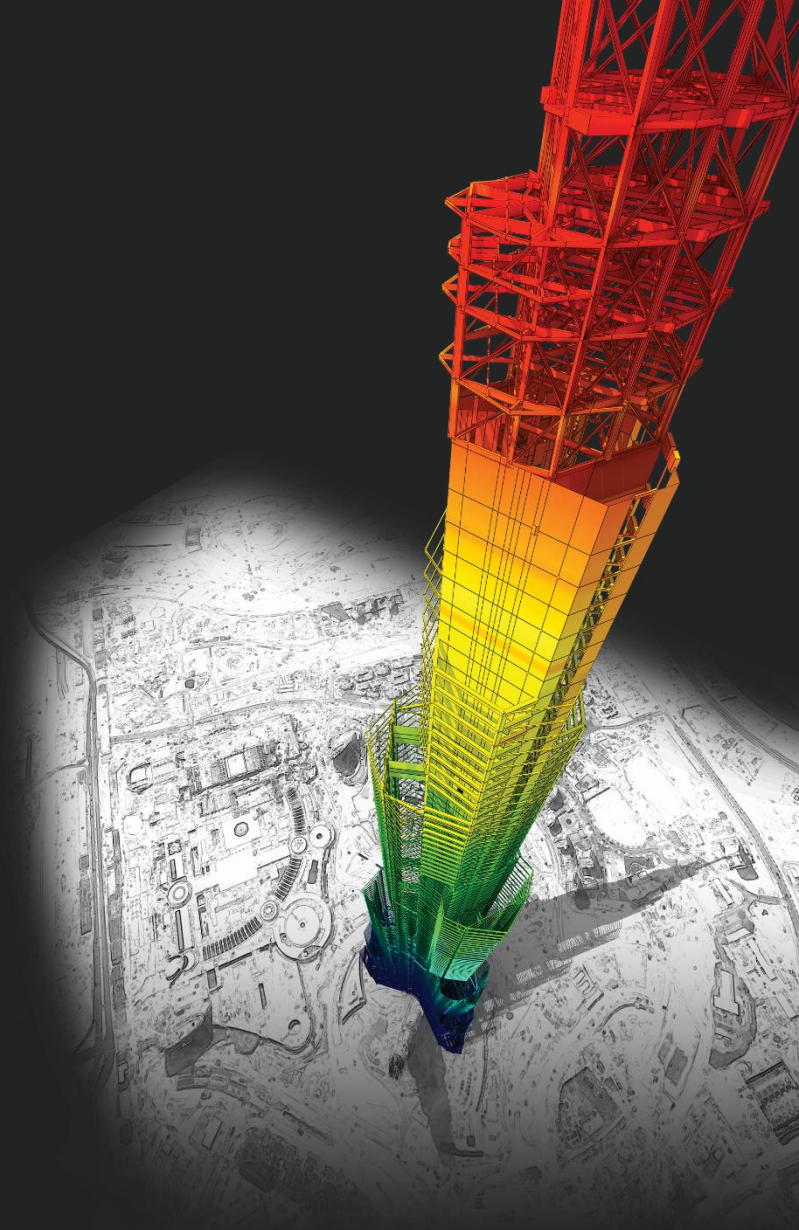
1 FL 剛性樓版會鎖定到原點



DESIGN OF General Structures

Integrated Design System for Building and General Structures

問題

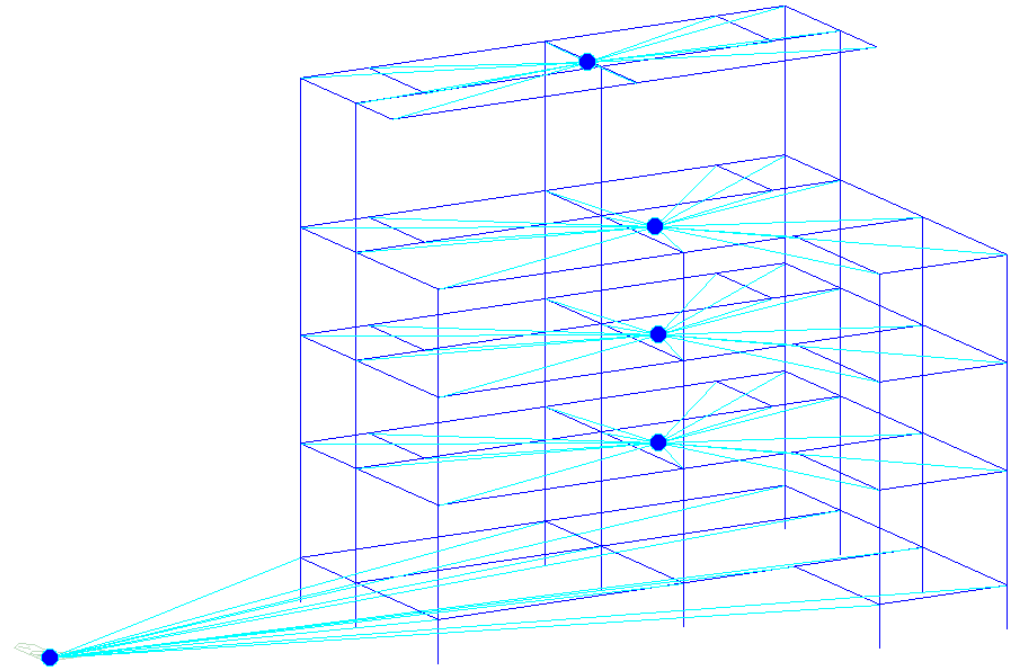


DESIGN OF General Structures

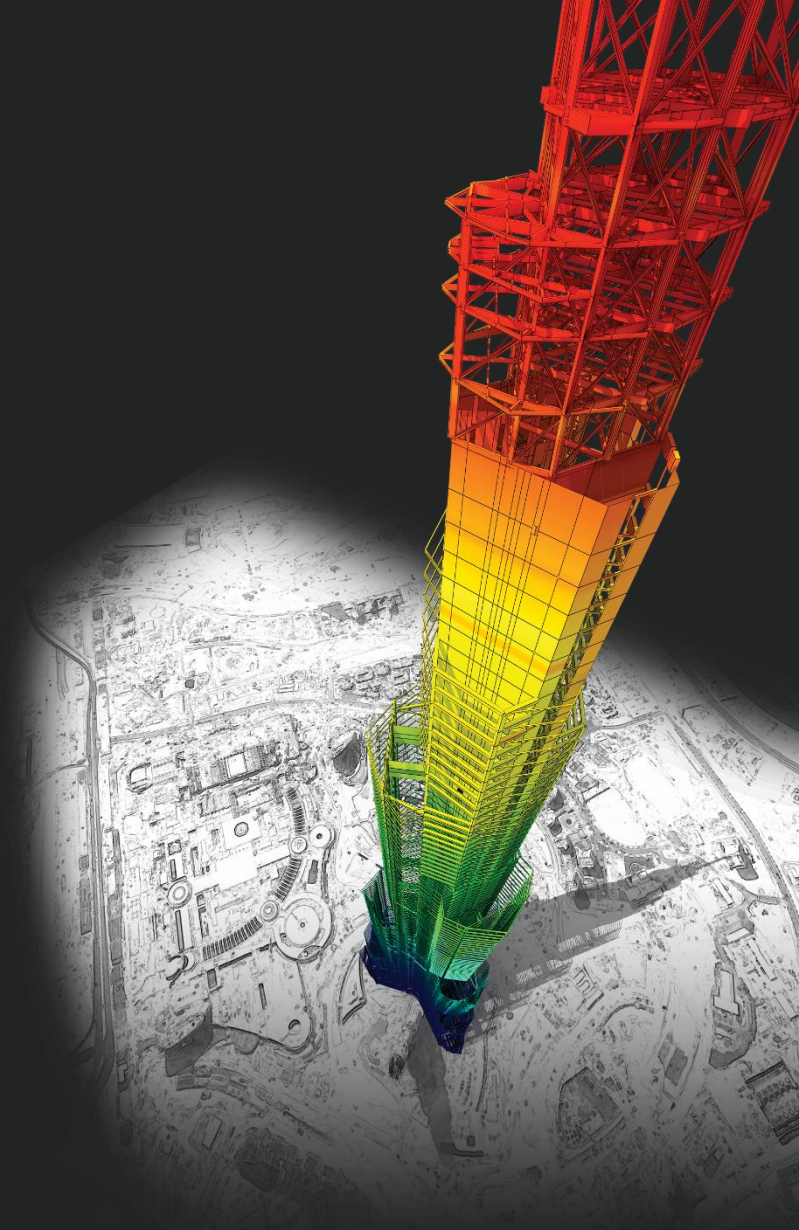
Integrated Design System for Building and General Structures

問題

請問，1FL剛性樓版會鎖定到原點，這是正常的嗎？
或是我不小心設定到什麼？



回答



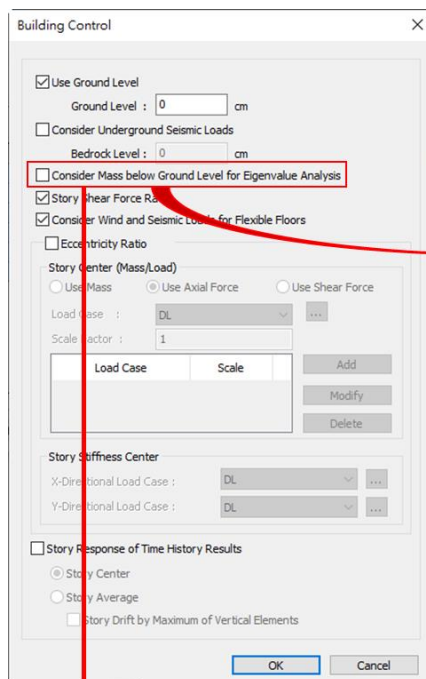
DESIGN OF General Structures

Integrated Design System for Building and General Structures

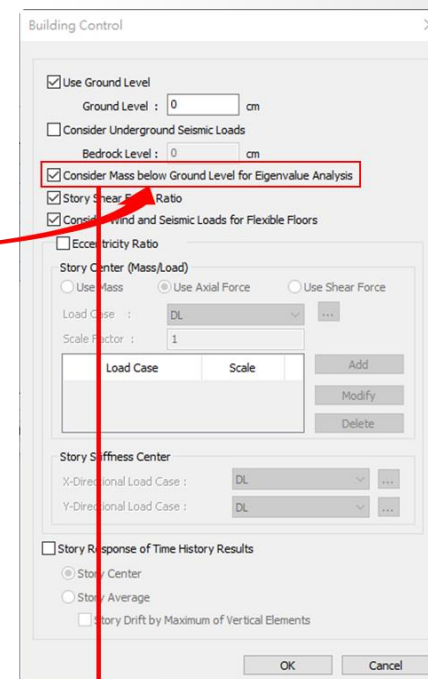
應該不正常。這個問題因為您設定 Ground Level 是 0 m 但是您不勾選 “Consider Mass below Ground Level for Eigenvalue Analysis”。

您可以看如果您不勾選 “Consider Mass below Ground Level for Eigenvalue Analysis”，Translation Mass – X 和 Translation Mass – Y 都是 0。

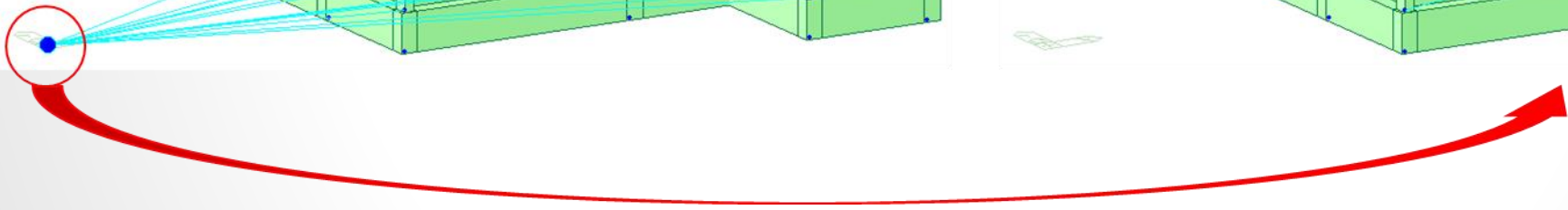
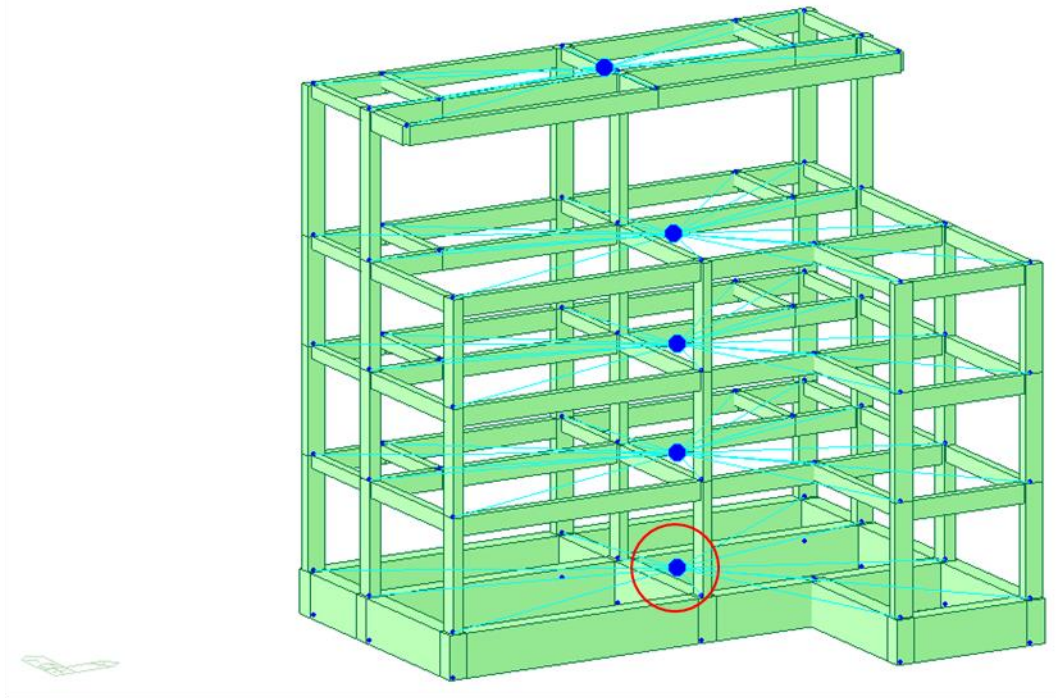
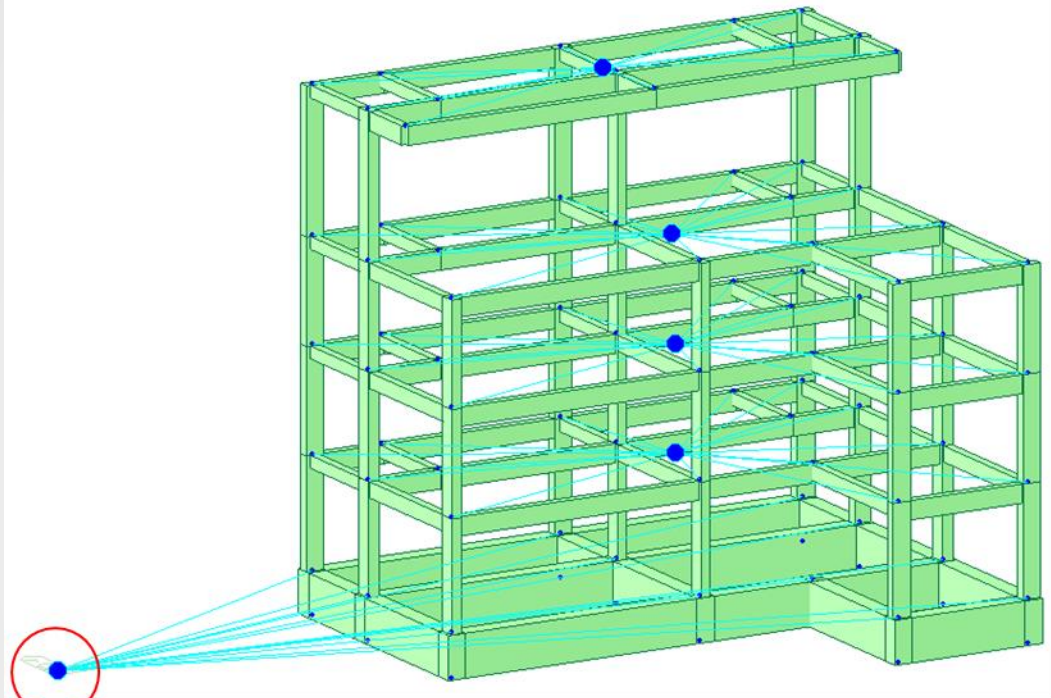
如果您勾選 “Consider Mass below Ground Level for Eigenvalue Analysis”，Translation Mass – X 和 Translation Mass – Y 都不是 0。然後您可以看 Story Diaphragm 是正常。



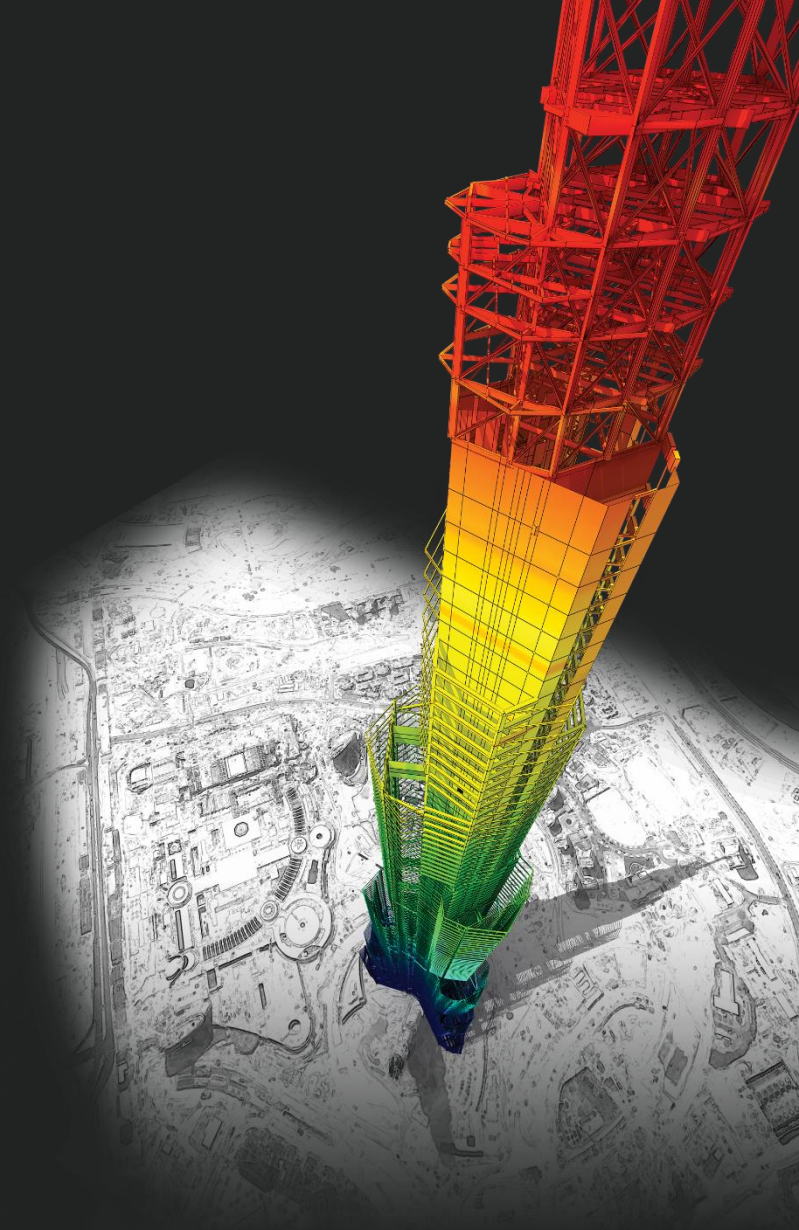
Story	Level (cm)	Translational Mass		Rotational Mass (tonf/g*cm ²)	Center of Mass	
		X-Dir (tonf/g)	Y-Dir (tonf/g)		X-Coord (cm)	Y-Coord (cm)
Use Ground Level : ON, Ground Level , 0						
Consider Mass under Ground Level : OFF						
Roof	1510.0000	0.09498073	0.09498073	35479.5664	2093.9748	358.2319
4F	1040.0000	0.23404207	0.23404207	130320.7719	2186.4467	110.3404
3F	700.0000	0.21935840	0.21935840	124517.5977	2191.2859	96.2879
2F	360.0000	0.21990052	0.21990052	124903.7572	2191.3446	96.2176
1F	0.0000	0.00000000	0.00000000	0.0000	0.0000	0.0000
B1	-140.0000	0.00000000	0.00000000	0.0000	0.0000	0.0000
Total		0.76828172	0.76828172			



Story	Level (cm)	Translational Mass		Rotational Mass (tonf/g*cm ²)	Center of Mass	
		X-Dir (tonf/g)	Y-Dir (tonf/g)		X-Coord (cm)	Y-Coord (cm)
Use Ground Level : ON, Ground Level , 0						
Consider Mass under Ground Level : ON						
Roof	1510.0000	0.09498073	0.09498073	35479.5664	2093.9748	358.2319
4F	1040.0000	0.23404207	0.23404207	130320.7719	2186.4467	110.3404
3F	700.0000	0.21935840	0.21935840	124517.5977	2191.2859	96.2879
2F	360.0000	0.21990052	0.21990052	124903.7572	2191.3446	96.2176
1F	0.0000	0.18574179	0.18574179	107973.4411	2196.5687	103.3974
B1	-140.0000	0.00000000	0.00000000	0.0000	0.0000	0.0000
Total		0.95402351	0.95402351			



Thank You



DESIGN OF General Structures

Integrated Design System for Building and General Structures