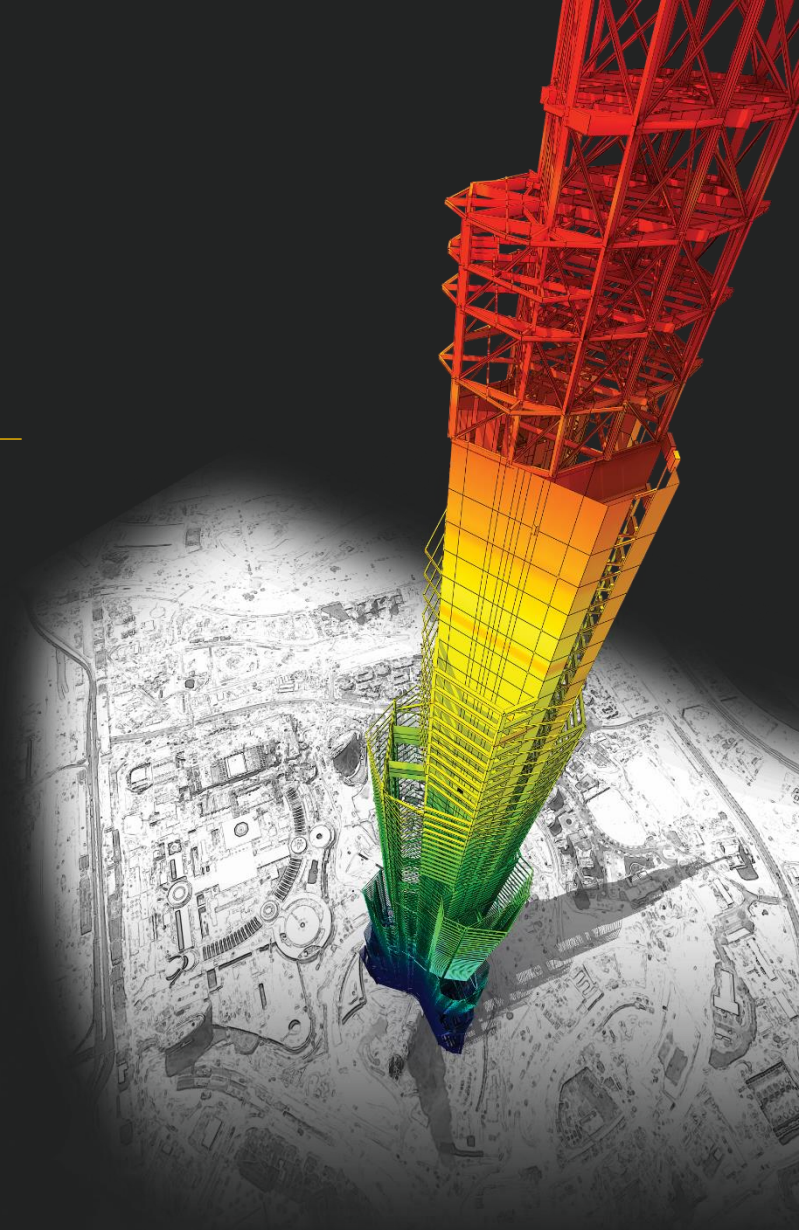




# DShop 平面圖出圖問題

---

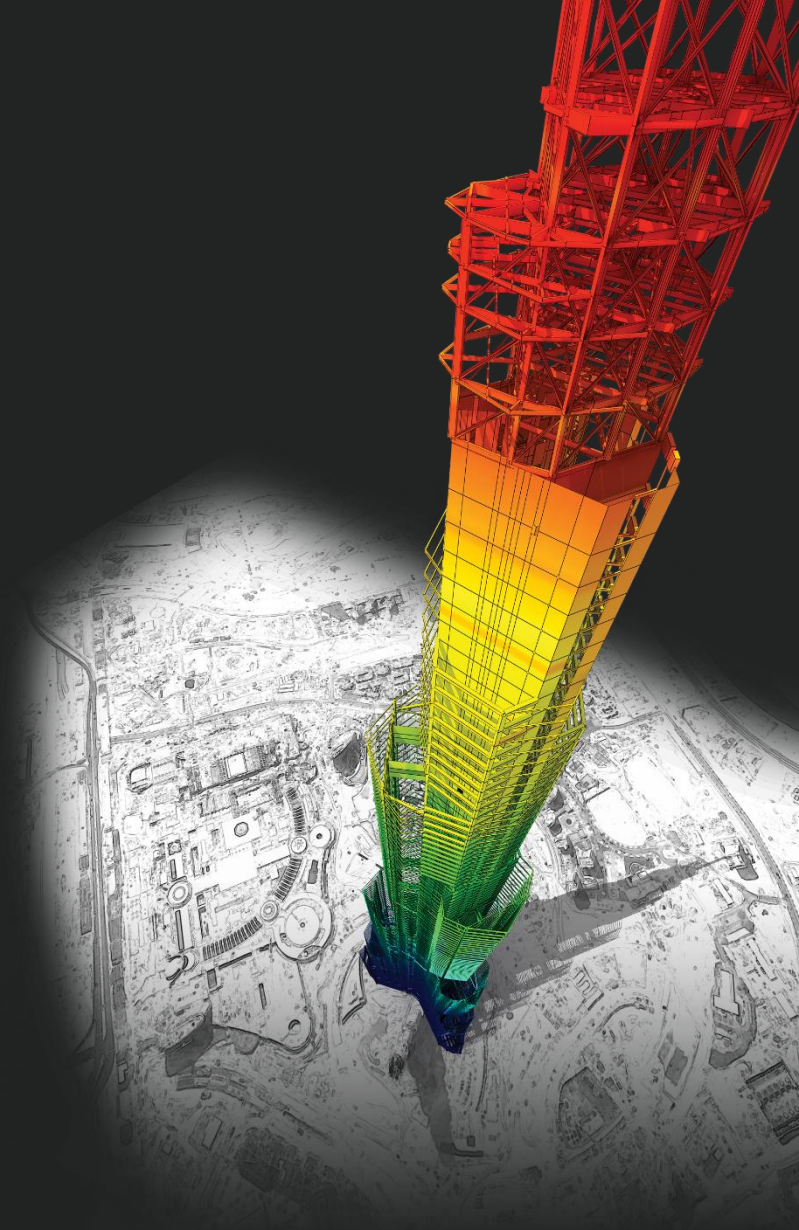


*DESIGN OF General Structures*

*Integrated Design System for Building and General Structures*

問題

---

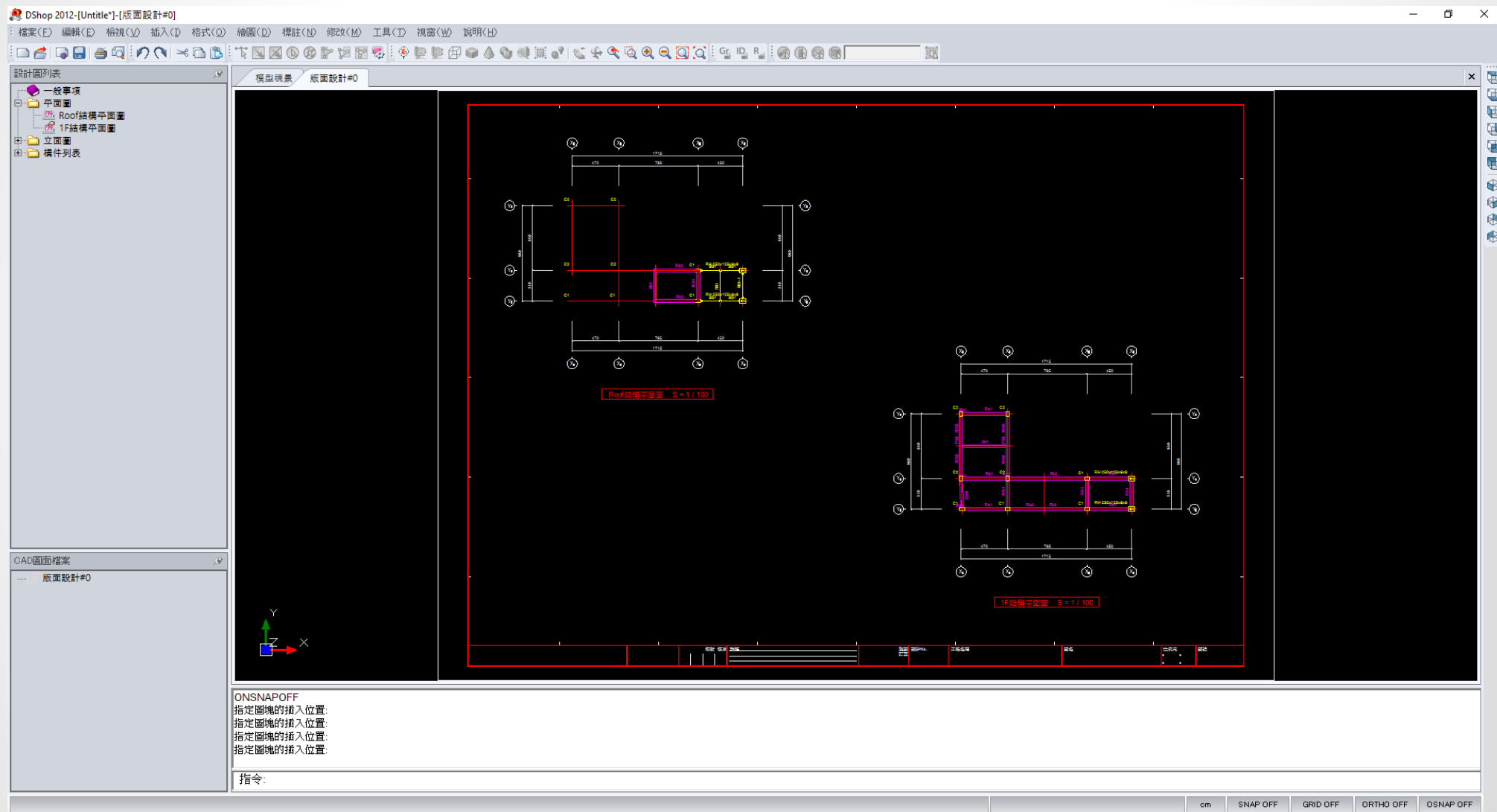


*DESIGN OF General Structures*

*Integrated Design System for Building and General Structures*

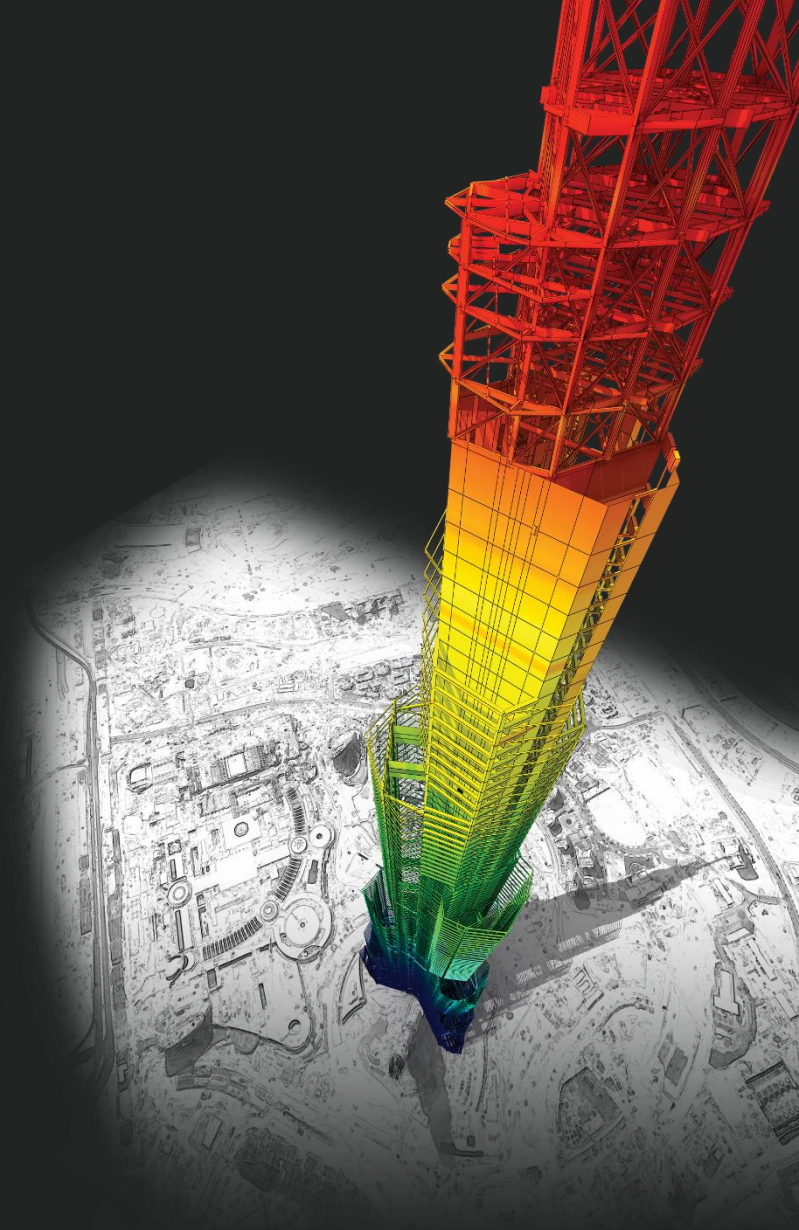
# 問題

平面圖出圖結果有地梁和ROOF大小梁重疊出現的問題。



# 回答

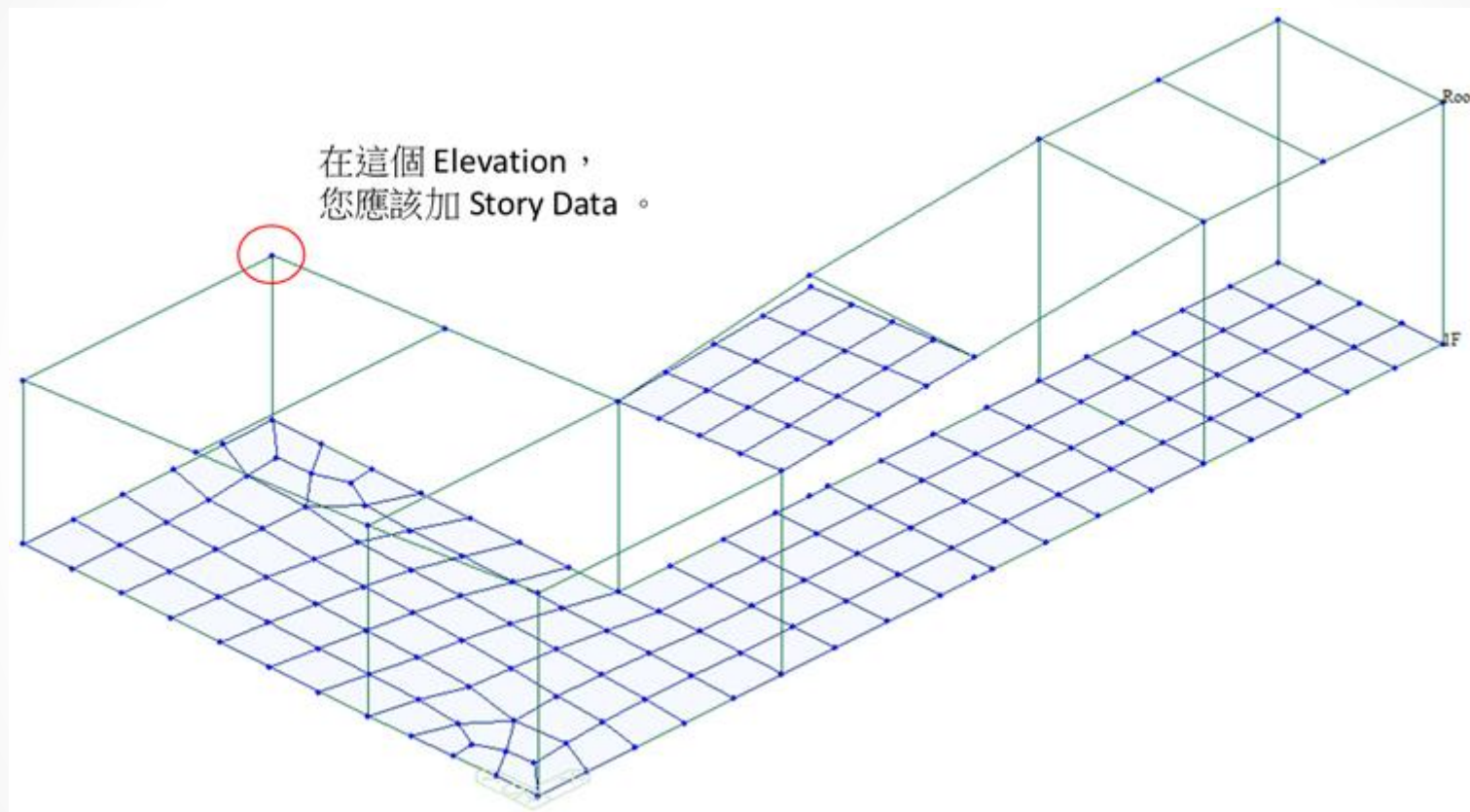
---



*DESIGN OF General Structures*

*Integrated Design System for Building and General Structures*

平面圖出圖的問題，您應該加 Story Data 在 2.53 m 的高度。



Story Data

Ground Level: 0 m

	Module Name	Story Name	Level(m)	Height(m)	Floor Diaphragm
	Base	Roof	3.73	0.00	Consider
▶	Base	1F	0.00	3.73	Do not consider
*					

Auto Generate Story Data... Define Module... Close

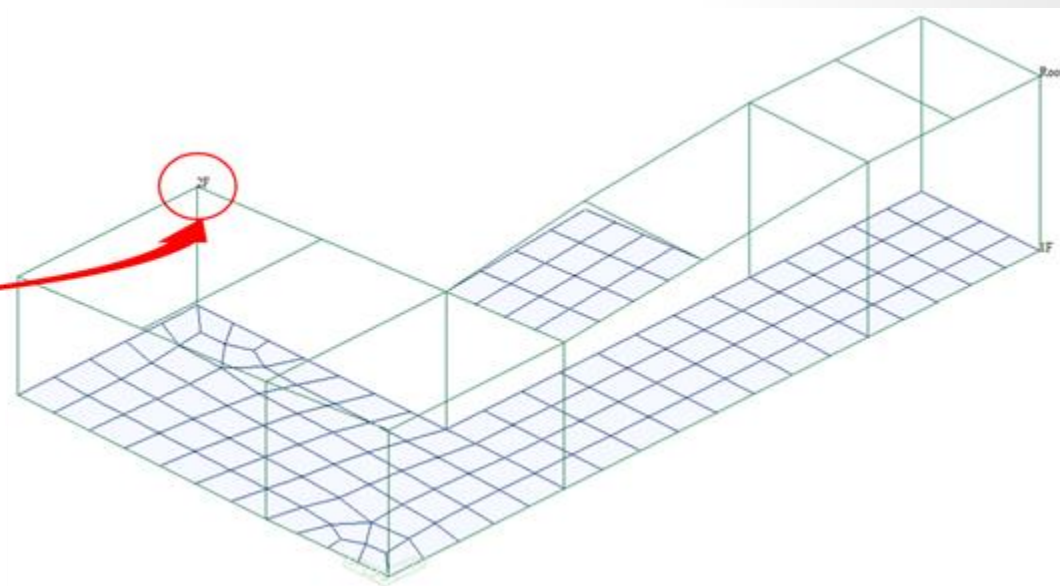
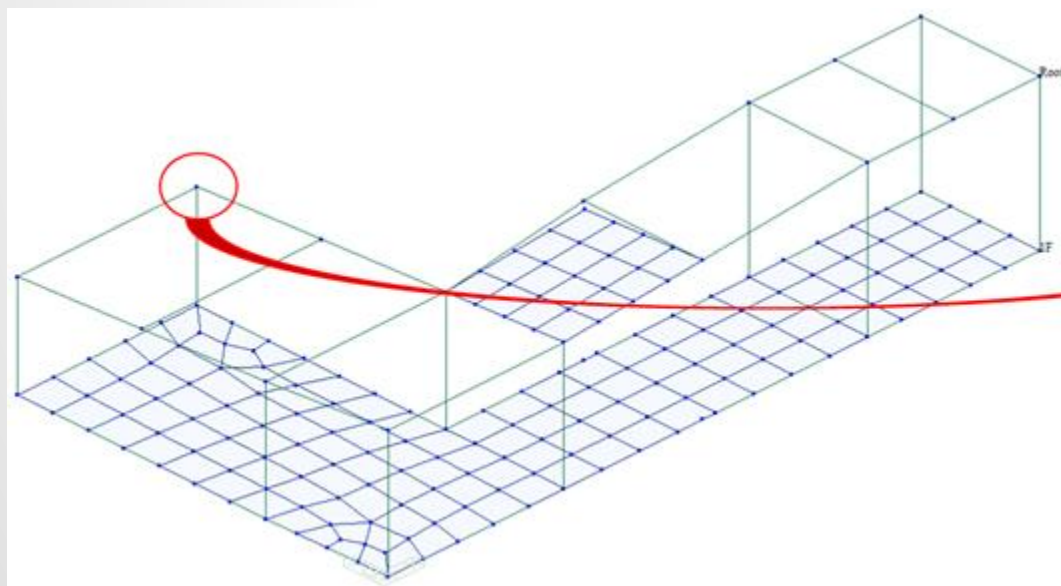
Story Data

Ground Level: 1 m

	Module Name	Story Name	Level(m)	Height(m)	Floor Diaphragm
▶	Base	Roof	3.73	0.00	Consider
	Base	2F	2.53	1.20	Consider
	Base	1F	0.00	2.53	Do not consider
*					

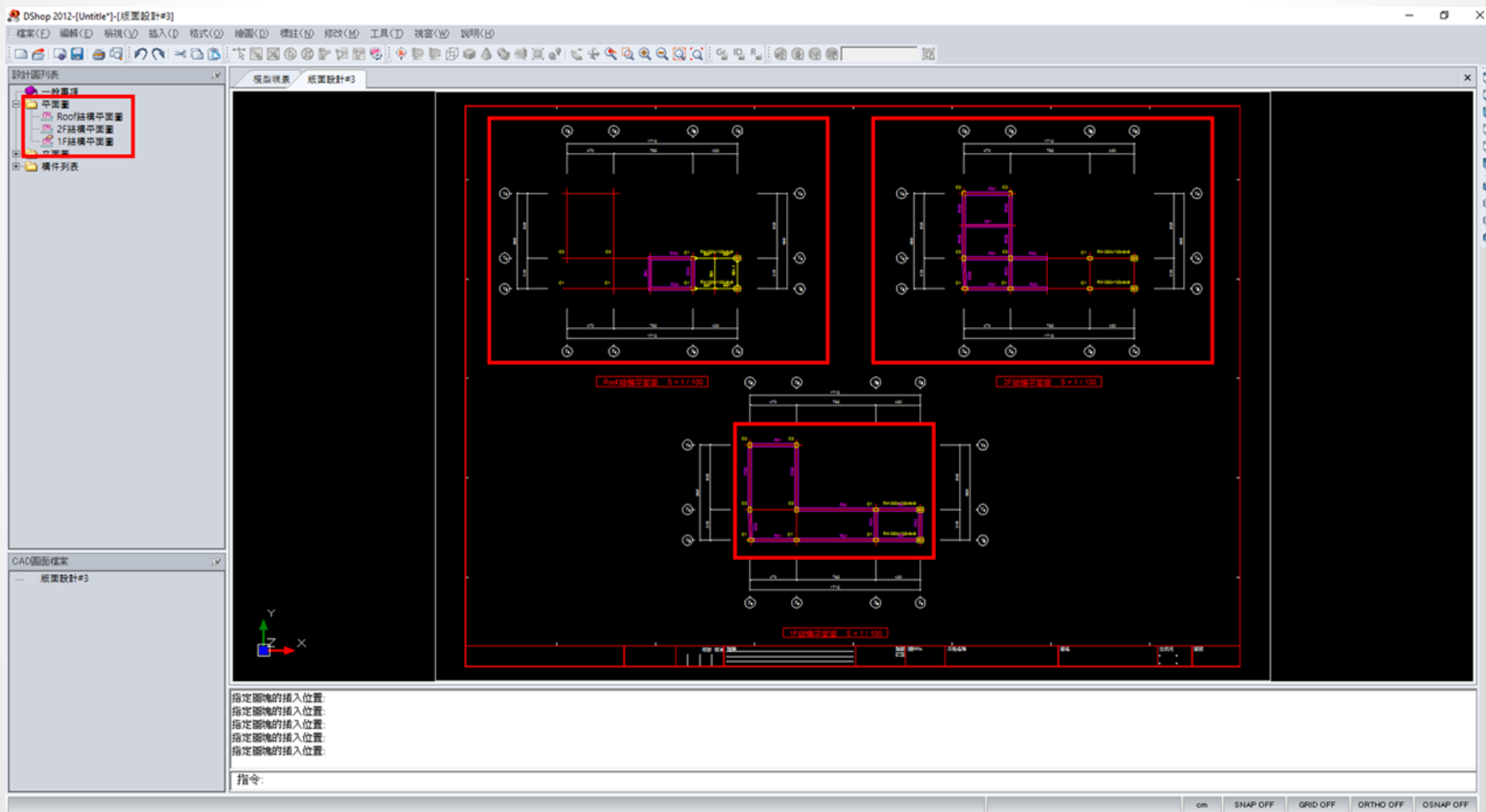
加 2F 的 Story Data。

Auto Generate Story Data... Define Module... Close



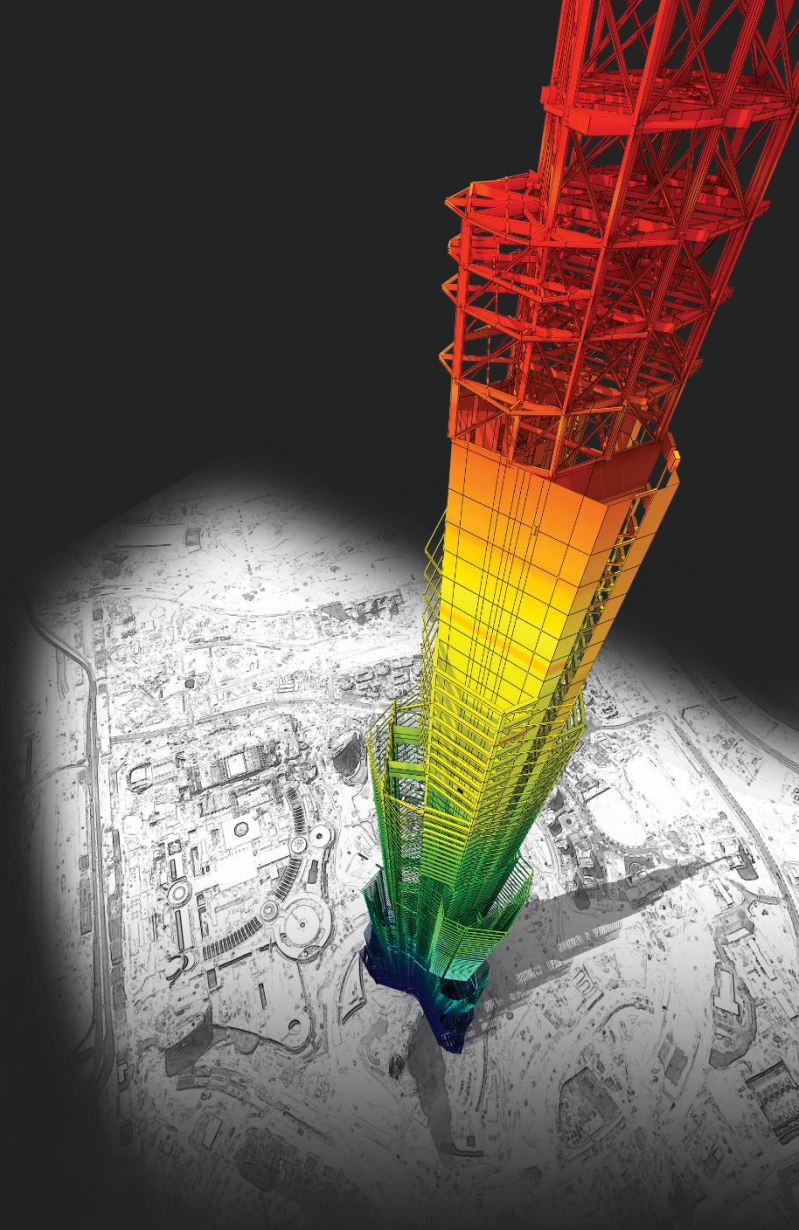
# 回答

然後您可以設計。  
設計以後，匯出 mgn 檔案。  
在 DShop，匯入那個 mgn 檔案然後平面圖的出圖沒有問題。



# Thank You

---



*DESIGN OF General Structures*

*Integrated Design System for Building and General Structures*