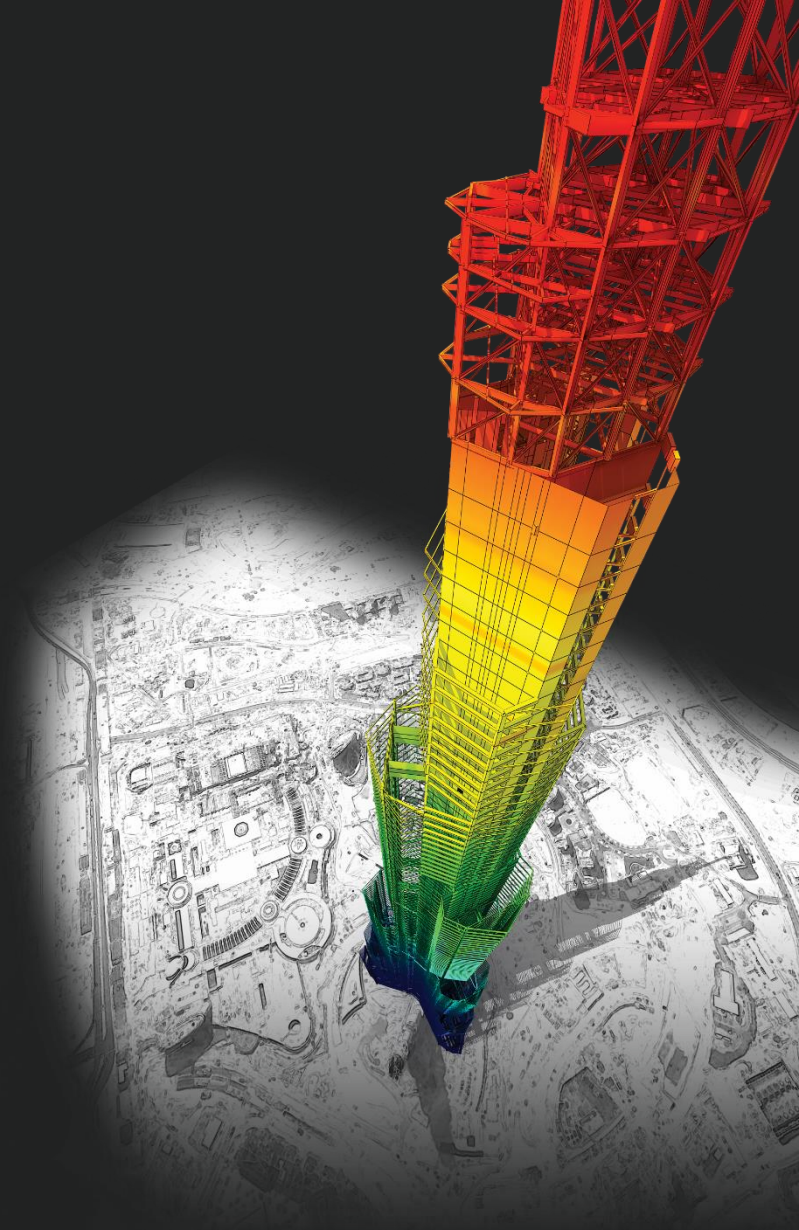




## 如何建立 RC 板與 RC 剪力牆 (無樑柱系統)

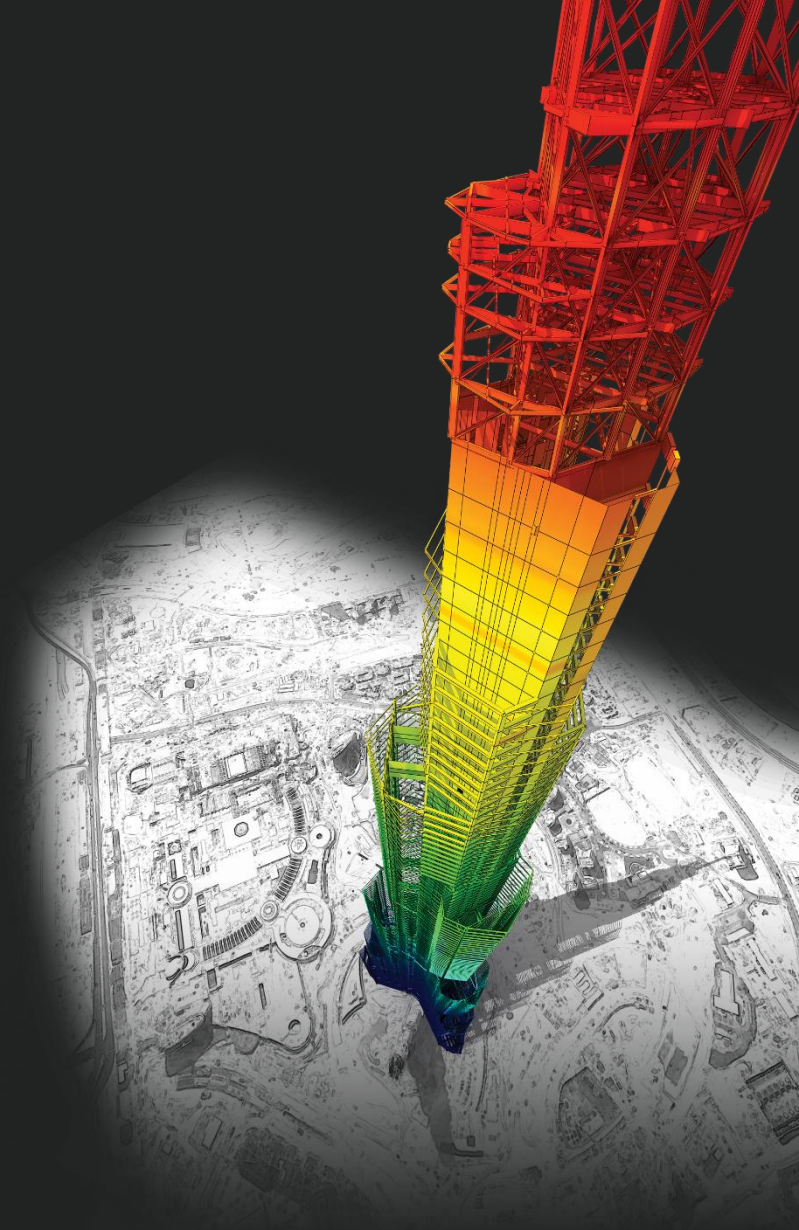


*DESIGN OF General Structures*

*Integrated Design System for Building and General Structures*

# 輸入斷面與材料

---



*DESIGN OF General Structures*

*Integrated Design System for Building and General Structures*

# 輸入斷面與材料

**Material Data**

General  
Material ID: 1 Name: C280

Elasticity Data  
Type of Design: Concrete

Type of Material  
 Isotropic  Orthotropic

Steel  
Standard: [ ] DB: [ ] Product: [ ]  
Concrete  
Standard: CNS560-18(RC) Code: [ ] DB: C280

Steel  
Modulus of Elasticity: 0.0000e+00 kgf/cm<sup>2</sup>  
Poisson's Ratio: 0  
Thermal Coefficient: 0.0000e+00 1/[F]  
Weight Density: 0 kgf/cm<sup>3</sup>  
 Use Mass Density: 0 kgf/cm<sup>3</sup>/g

Concrete  
Modulus of Elasticity: 2.0303e+05 kgf/cm<sup>2</sup>  
Poisson's Ratio: 0.167  
Thermal Coefficient: 5.5556e-06 1/[F]  
Weight Density: 0.0024 kgf/cm<sup>3</sup>  
 Use Mass Density: 2.447e-06 kgf/cm<sup>3</sup>/g

Plasticity Data  
Plastic Material Name: NONE

Inelastic Material Properties for Fiber Model & Non-dissipative element  
Concrete: None Rebar: None

Thermal Transfer  
Specific Heat: 0 Btu/kgF\*[F]  
Heat Conduction: 0 Btu/cm\*hr\*[F]

Damping Ratio: 0.05

OK Cancel Apply

輸入混凝土材料

**Section Data**

DB/User Value SRC Combined Tapered Composite

Section ID: 1 Solid Rectangle

Name: Dummy  User  DB: CNS91

Sect. Name: [ ]  
 Built-Up Section

Get Data from Single Angle  
DB Name: CNS91  
Sect. Name: [ ]

H: 1 cm  
B: 1 cm

Offset: Center-Center  
Change Offset ...

Consider Shear Deformation.  
 Consider Warping Effect(7th DOF)

Show Calculation Results... OK Cancel Apply

輸入 Dummy 尺寸

**Thickness Data**

Value Stiffened

Thickness ID: 1 Name: Slab

In-plane & Out-of-plane: 20 cm  
 In-plane: 0 cm  
 Out-of-plane: 0 cm

Plate Offset  
 Thickness Ratio  
Local z: 0  
 Value  
Local z: 0

Offset Distance

Show Calculation Result... OK Cancel Apply

輸入 RC 板與 RC 剪力牆

**Thickness Data**

Value Stiffened

Thickness ID: 2 Name: Wall

In-plane & Out-of-plane: 30 cm  
 In-plane: 0 cm  
 Out-of-plane: 0 cm

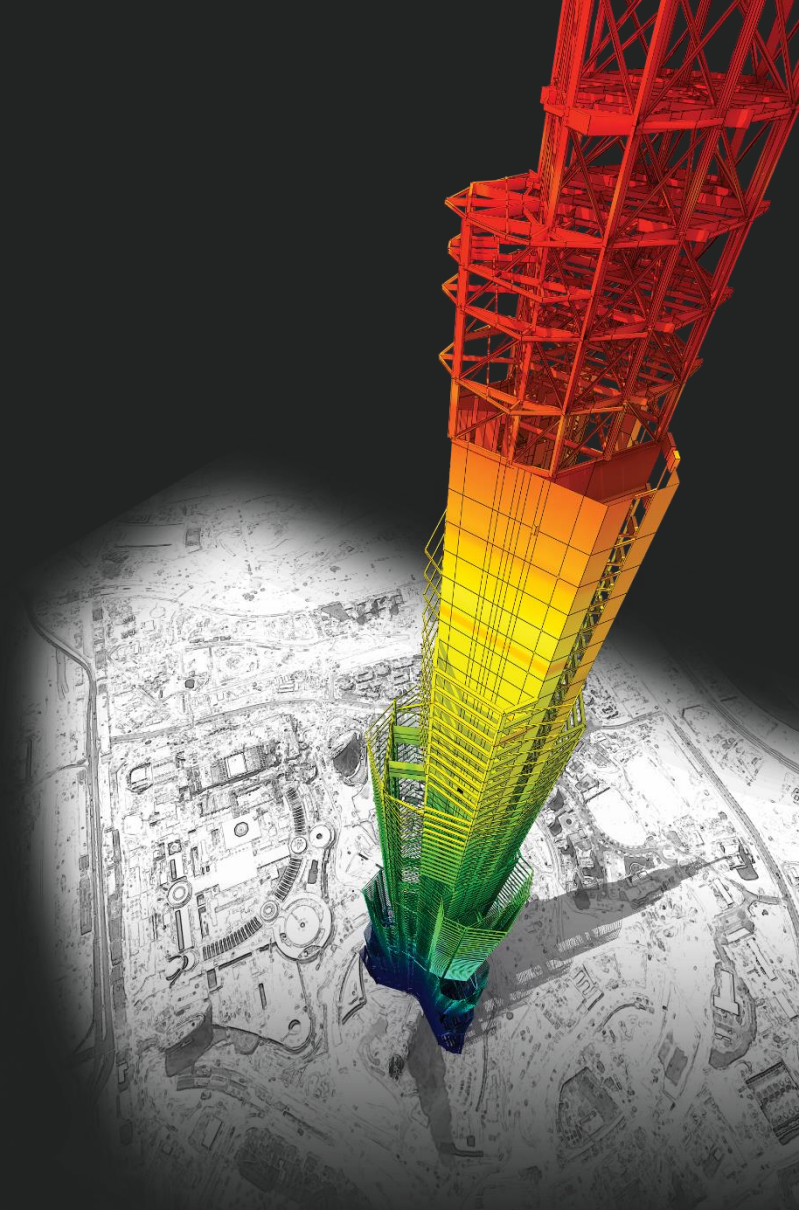
Plate Offset  
 Thickness Ratio  
Local z: 0  
 Value  
Local z: 0

Offset Distance

Show Calculation Result... OK Cancel Apply

# 建立結構

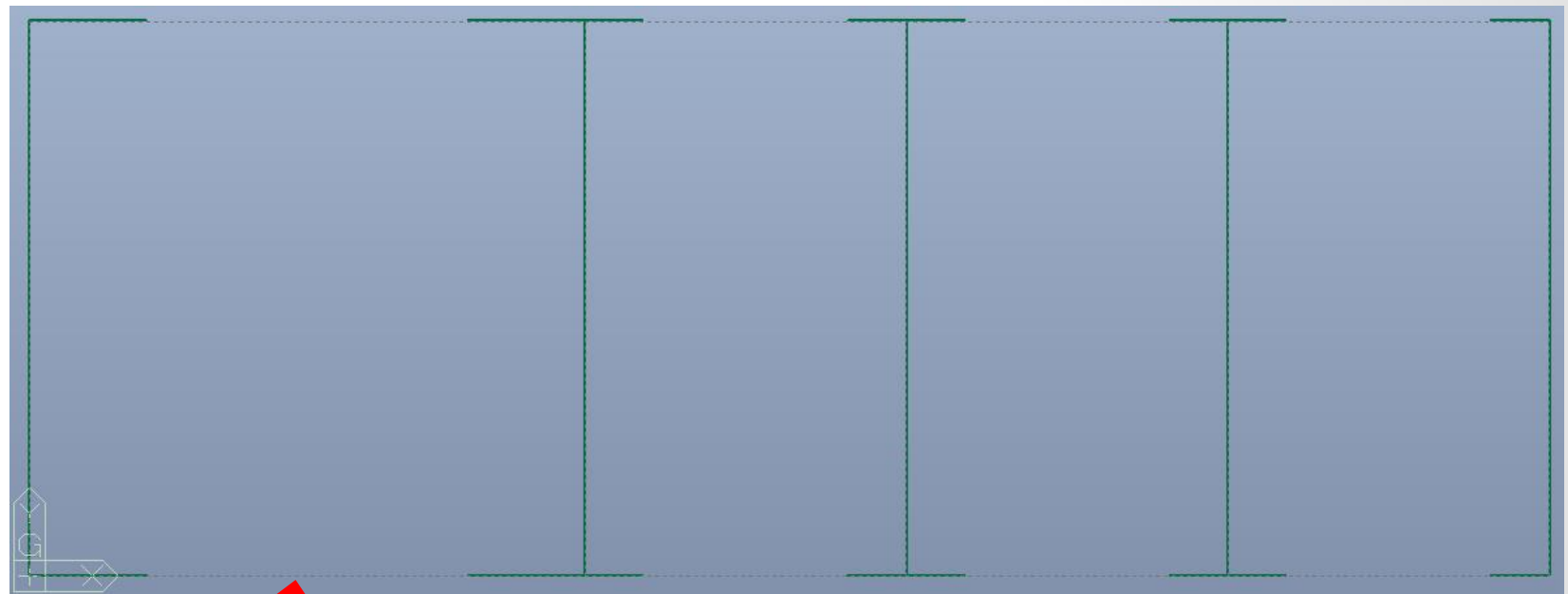
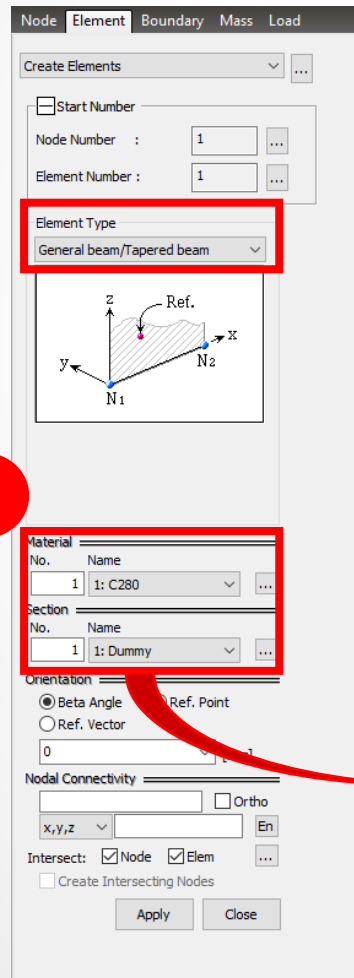
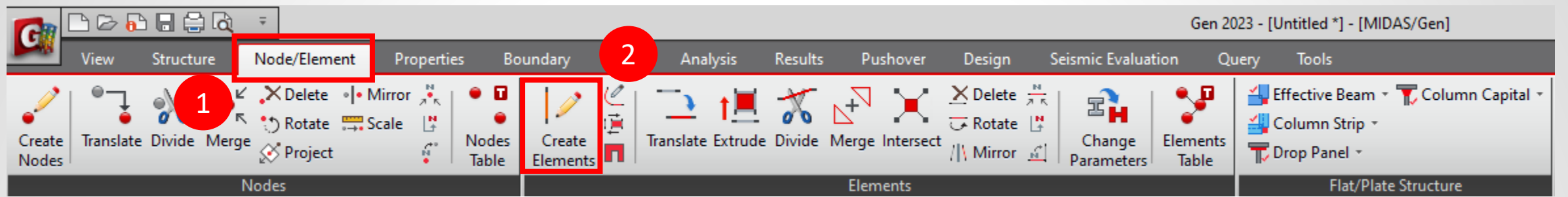
---



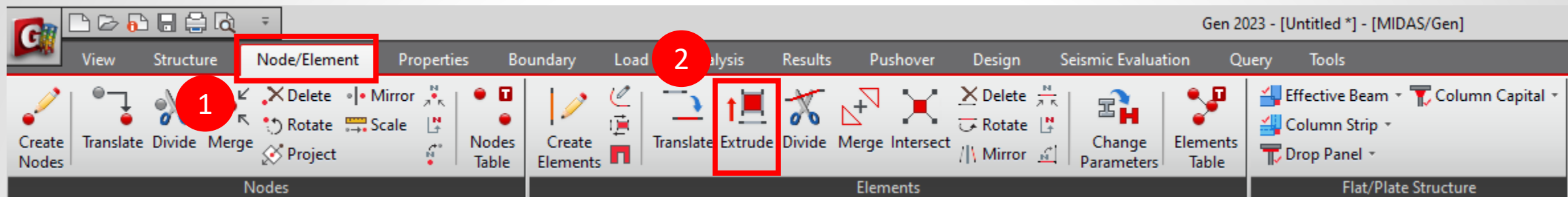
*DESIGN OF General Structures*

*Integrated Design System for Building and General Structures*

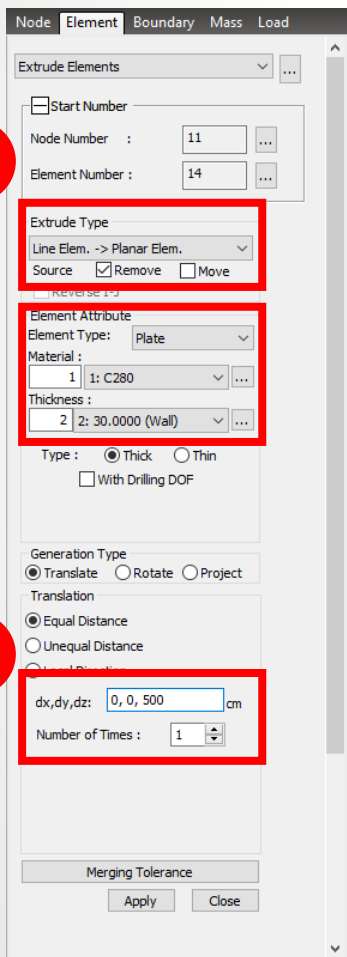
# 建立 Dummy Beam



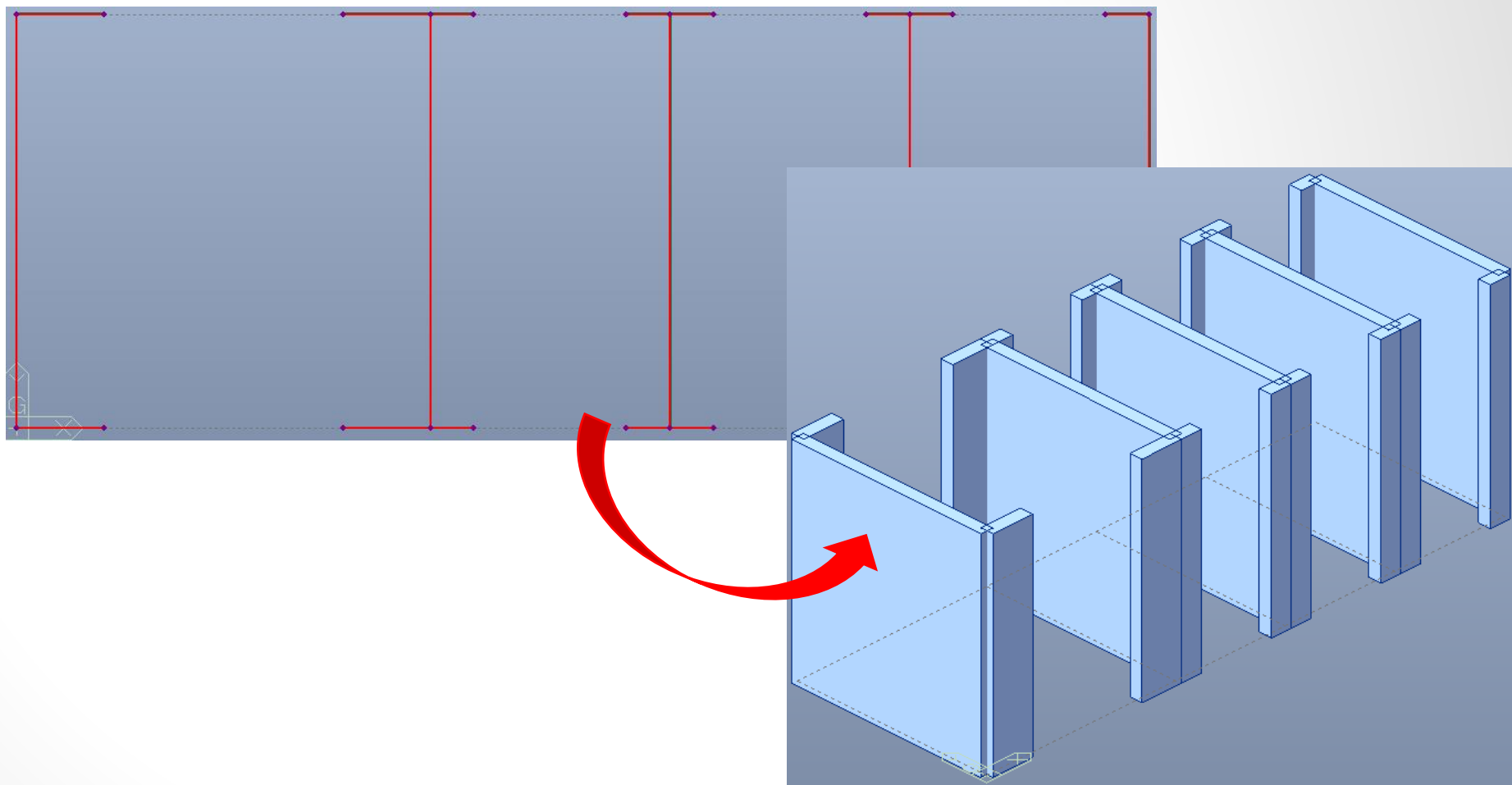
# 建立 RC 剪力牆



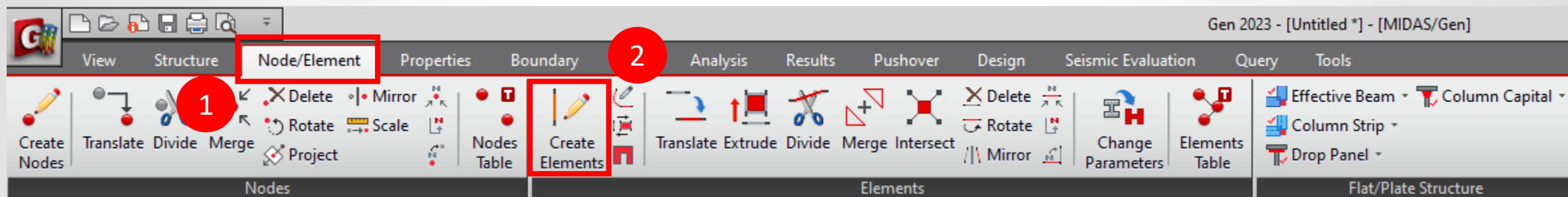
**3**  
Source 勾選  
Remove



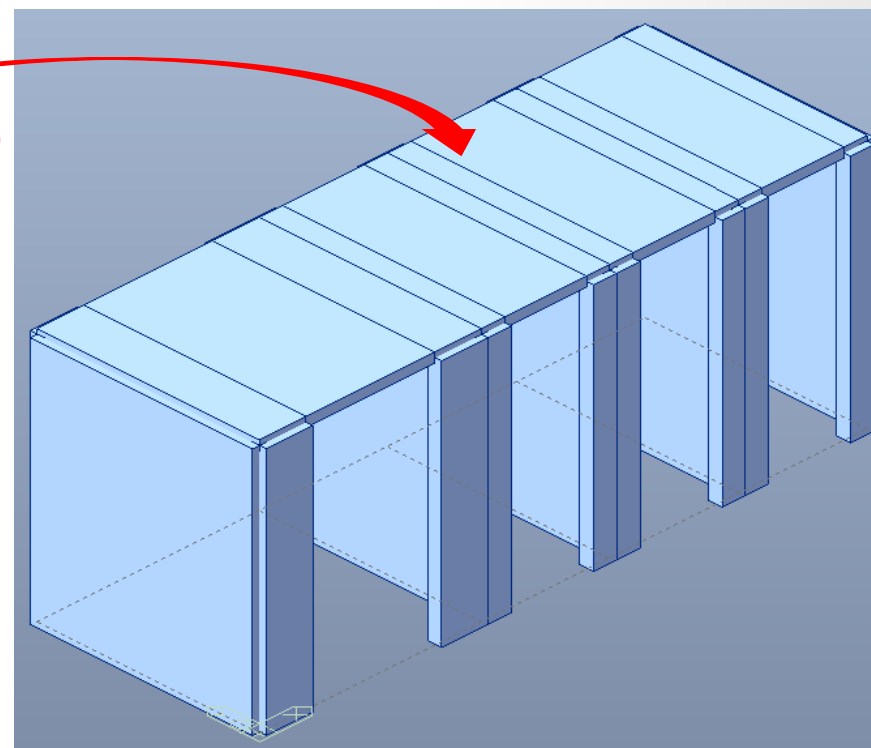
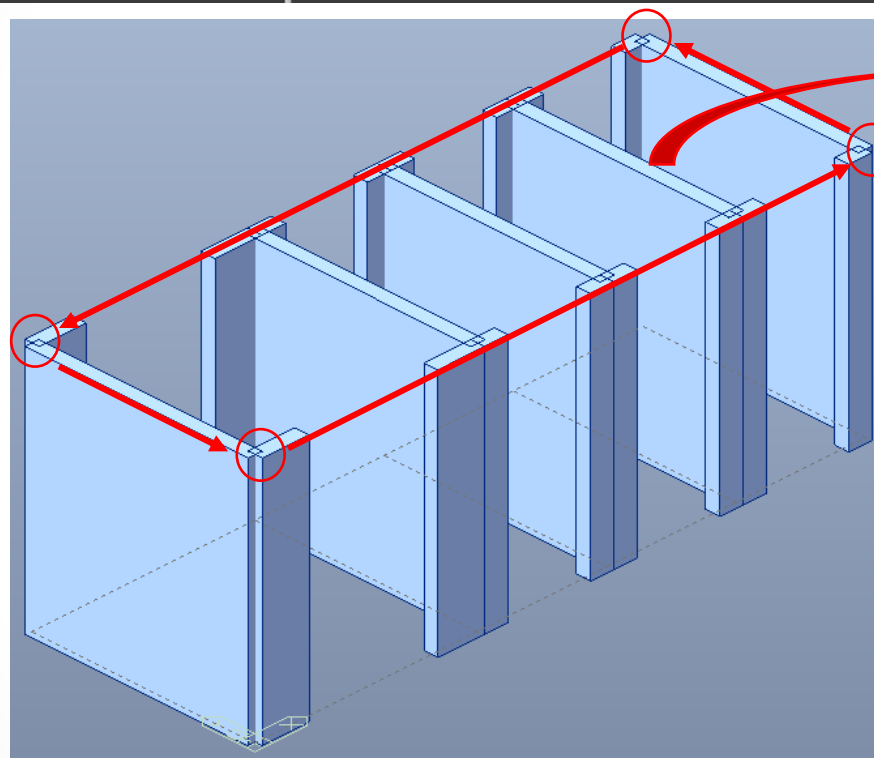
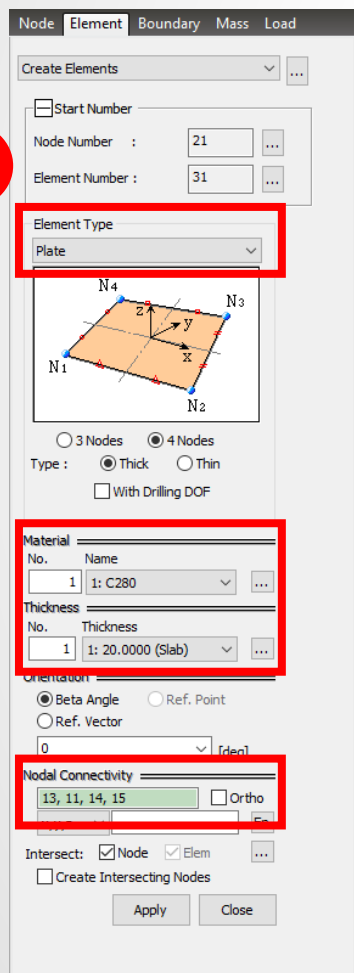
**4**



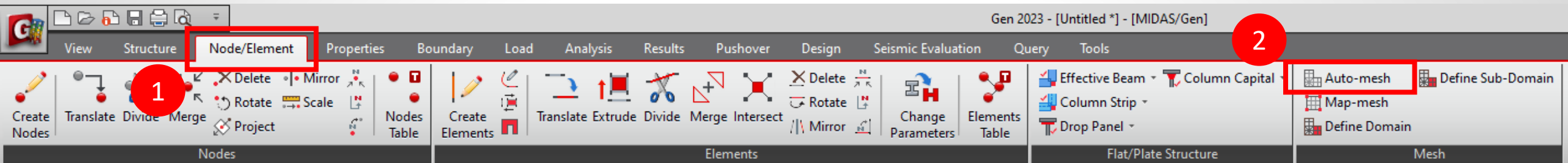
# 建立 RC 板



3

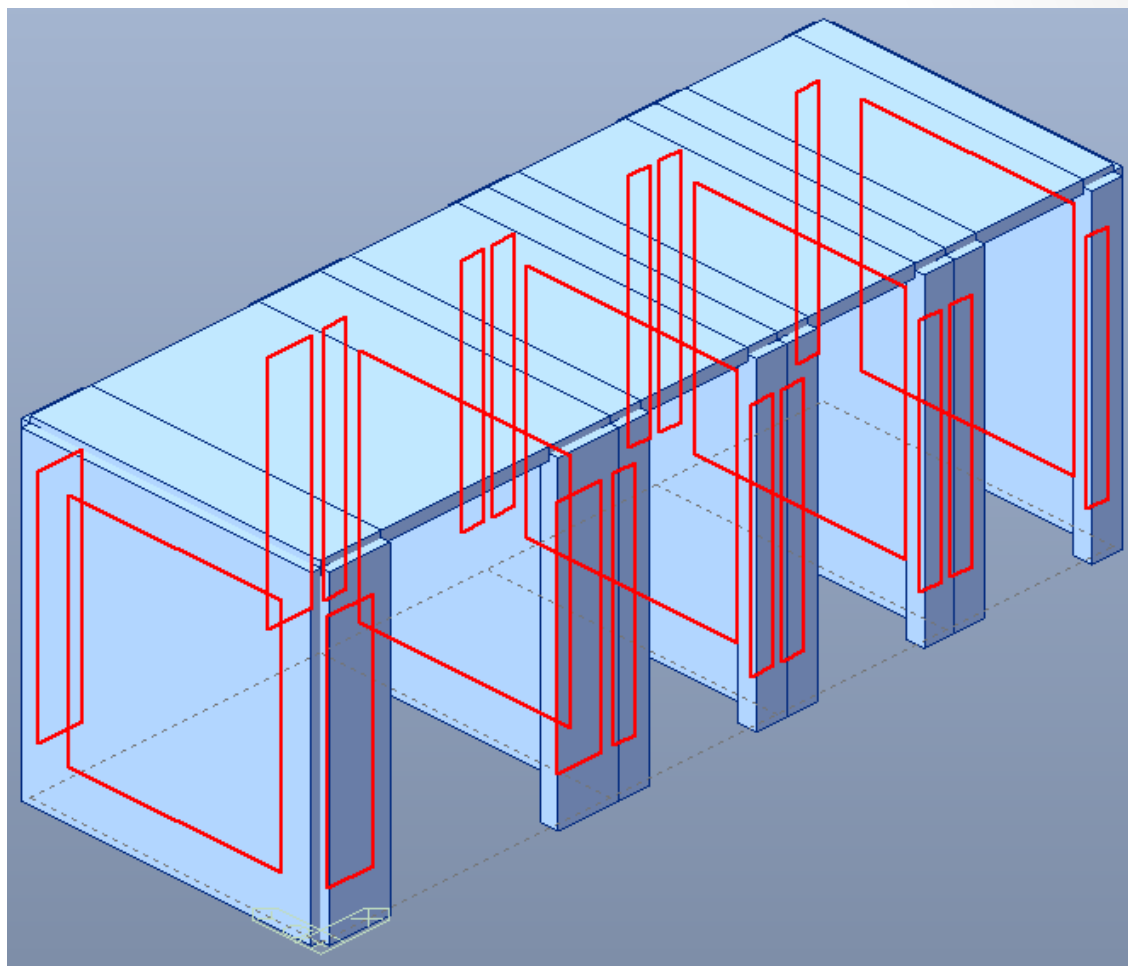
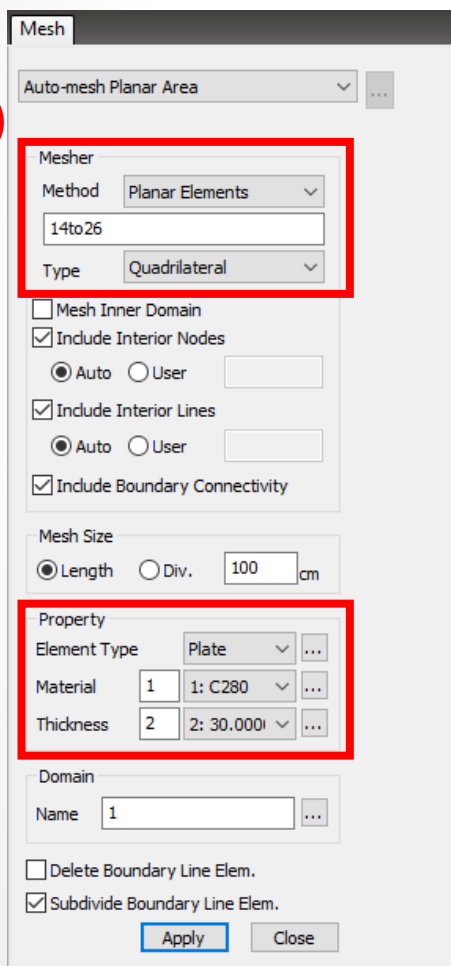


# 做 Meshed Element



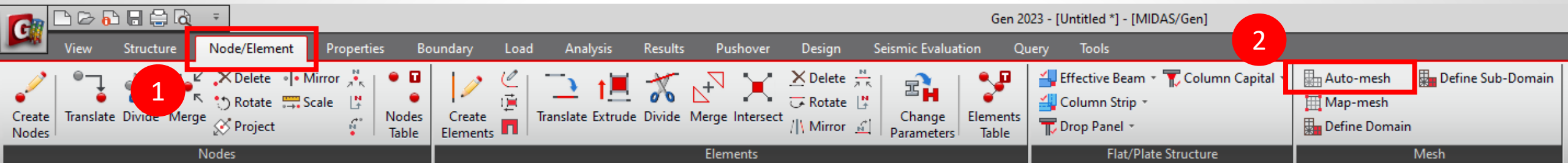
3

Type 選 Quadrilateral



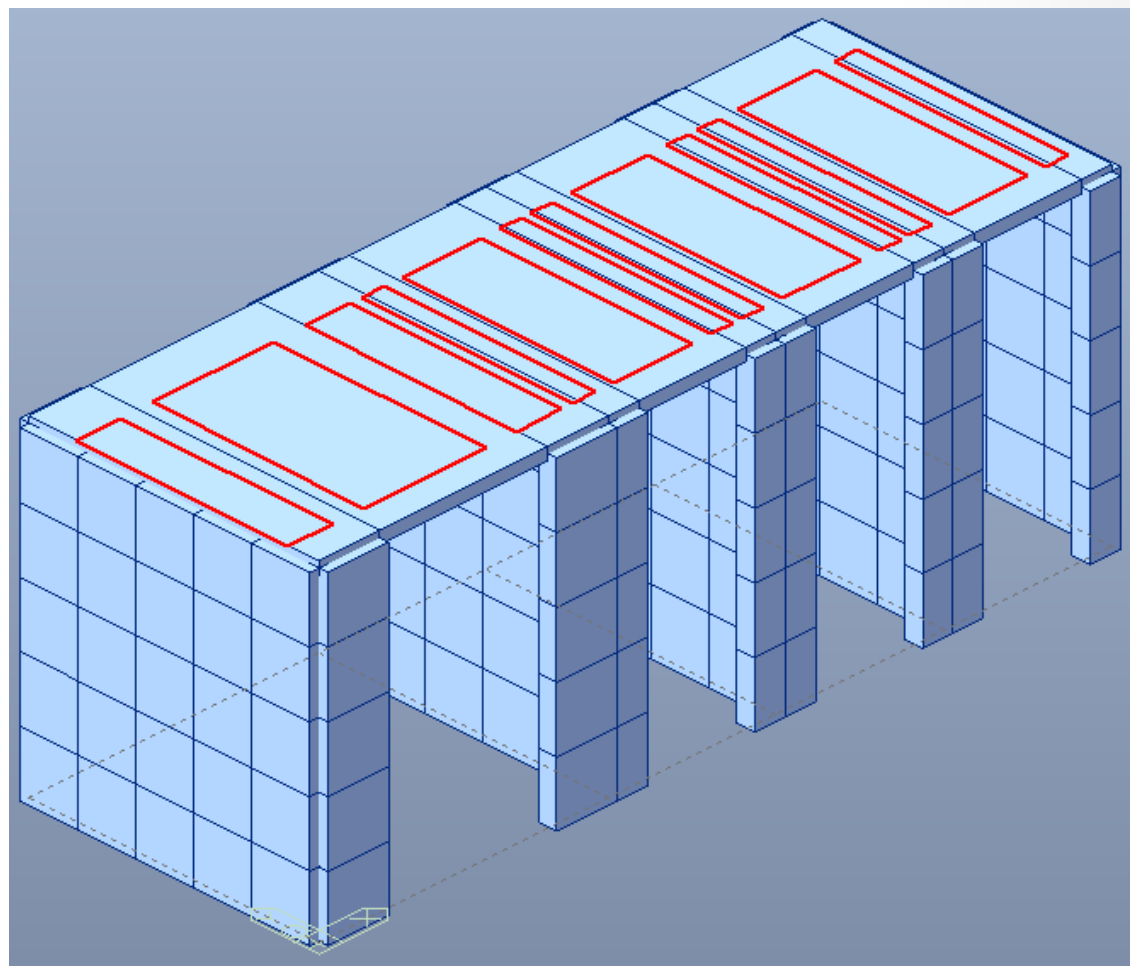
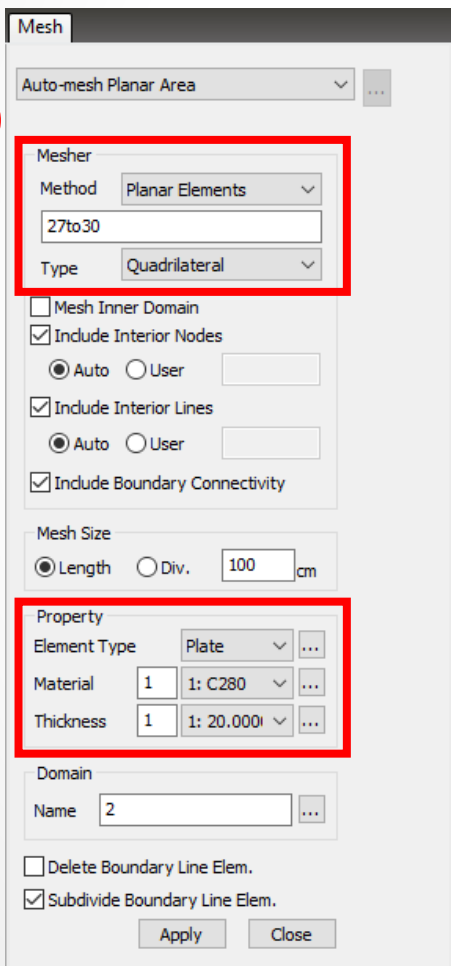


# 做 Meshed Element



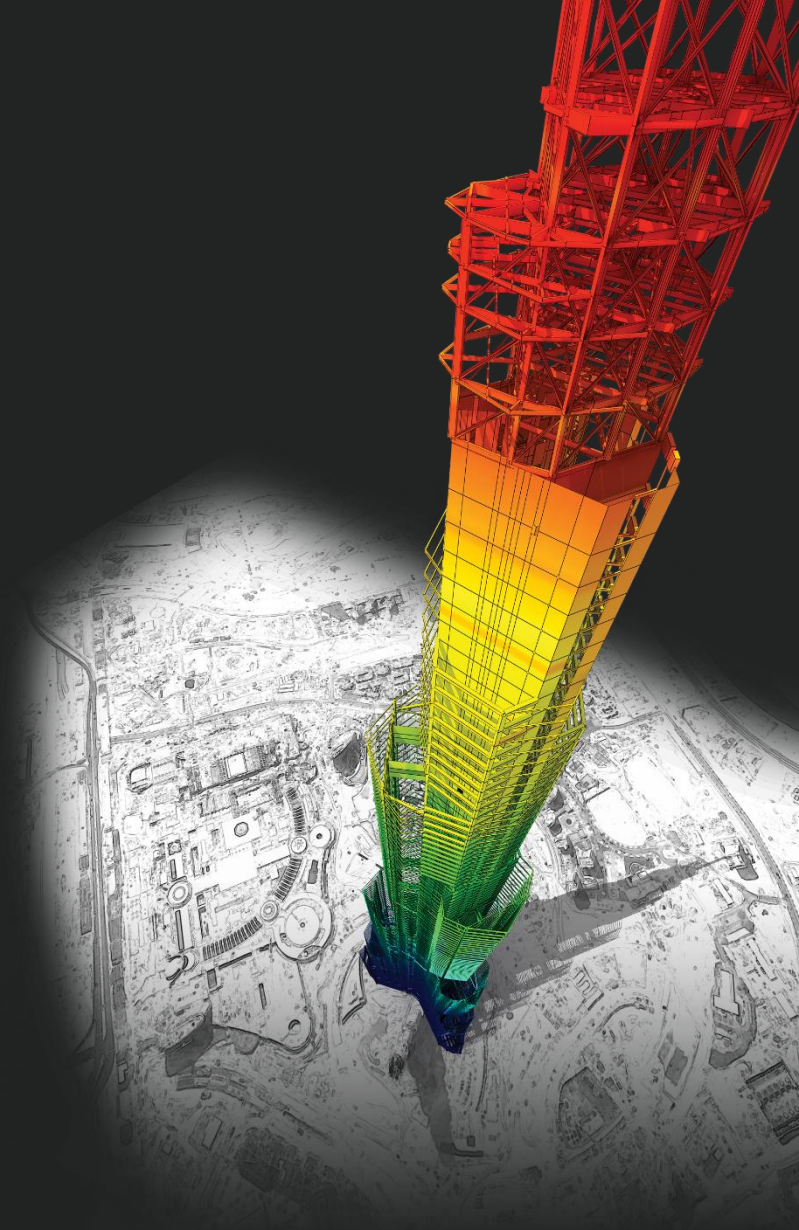
3

Type 選 Quadrilateral



# Thank You

---



*DESIGN OF General Structures*

*Integrated Design System for Building and General Structures*